

NICHIHA EX SERIES 1818/1820 PANEL (Fu-ge) HORIZONTAL INSTALLATION MANUAL

【Construction】 Steel Structure

【 Substrate 】 Vertical Metal Framework

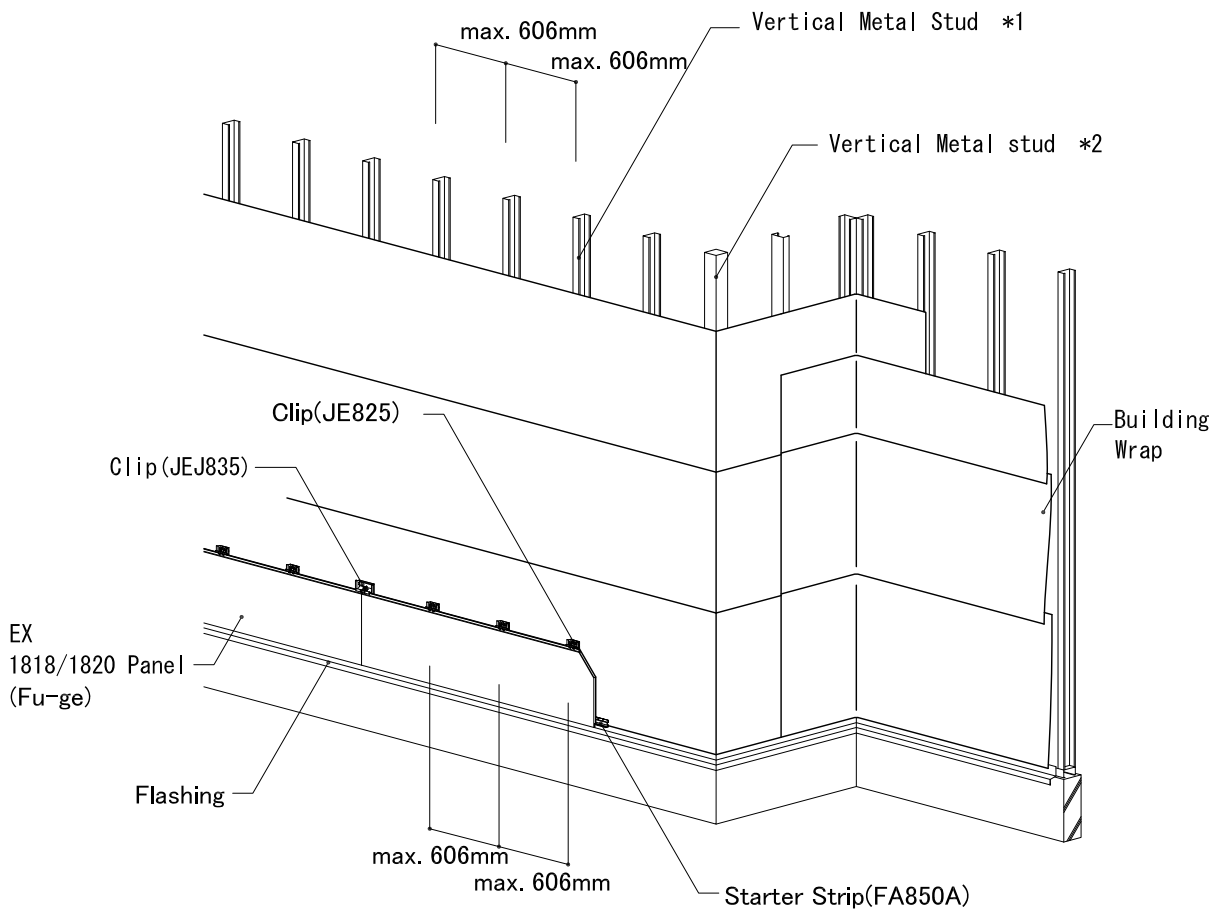
Overview	
Main Member	
Base	
Horizontal Junction	
Vertical Junction	
Internal Corner	
External Corner	Pre-formed Corner
Opennings	Top Bottom Sides
Soffit	Eaves Trim Sealant
Overhang	Overhang Flashing

NICHIHA EX SERIES

(1818/1820 Panel – Fu-ge)

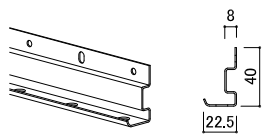
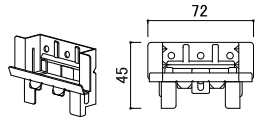
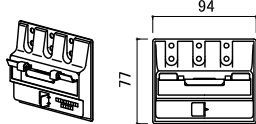
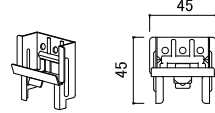
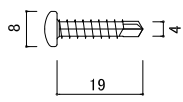
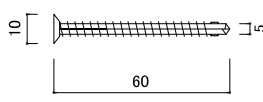
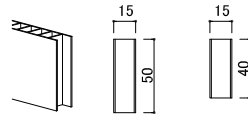
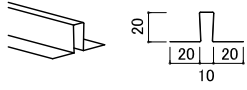
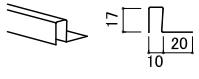
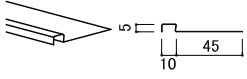
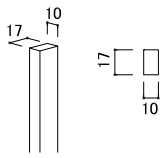
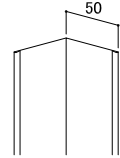
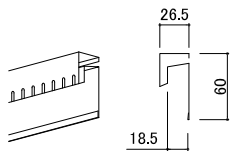
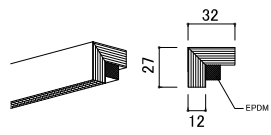
Substrate	Furring Strip	Panel Installation Direction	How to fix
Metal framework	Vertical	Horizontal	Clip (JE825)

Overview



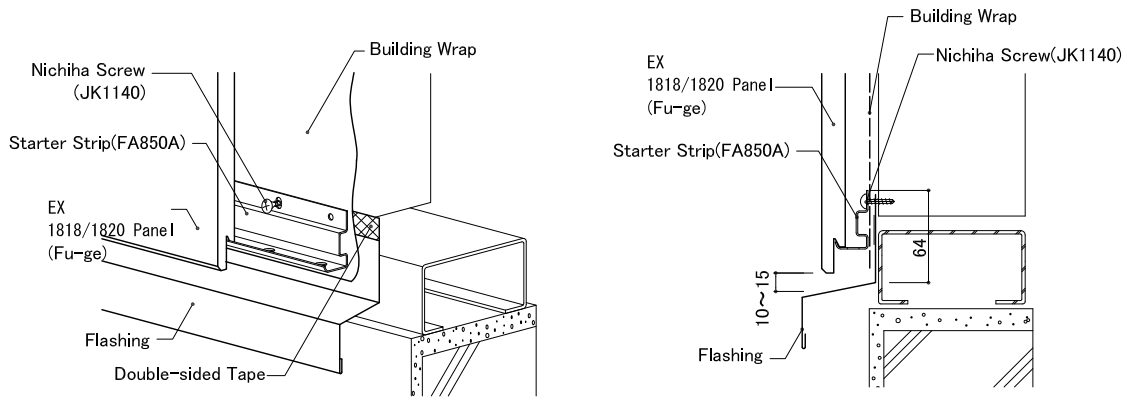
- *1 : $t = 1.6 \sim 2.3\text{mm}$ 、 $W \geq 80\text{mm}$
- *2 : $t = 1.6 \sim 2.3\text{mm}$ 、 $W \geq 40\text{mm}$
- *3 : A vertical metal stud must exist behind JEJ835

NICHIHA EX SERIES (1818/1820 Panel – Fu-ge)	Substrate	Furring Strip	Panel Installation Direction	How to fix
	Metal framework	Vertical	Horizontal	Clip (JE825)

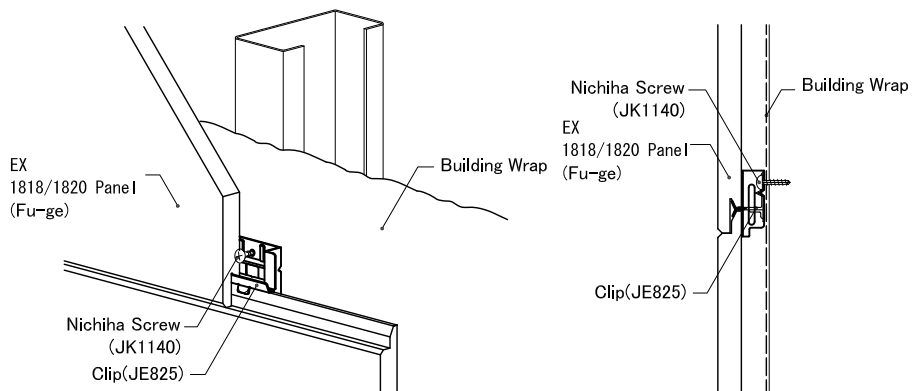
Main Accessories				
■ Starter Strip  【FA850A】 Material : Painted 55%Al-Zn-coated steel sheet Thickness : 1.0mm Length : 3,030mm Fastening : @606mm or less interval Note : fix with Nichiha Screws	■ Clip  【JE825】 Material : Zn-11%Al-3%Mg-0.2%Si-coated steel sheet Note : fix with Nichiha Screws	■ Joint Clip  【Product number: JE835】 Material : Painted Zn-11%Al-3%Mg-0.2%Si-coated steel sheet Note : fix with 2 Nichiha Screws	■ Corner Clip  【JE825C】 Material : Zn-11%Al-3%Mg-0.2%Si-coated steel sheet Note : fix with Nichiha Screws	
■ Nichiha Screw (for fixing Starter Strip・Clip)  【JK1140】 Material : Stainless Size : φ4mm × 19mm	■ Nichiha Screw (for face fixing Panel)  【JK1250】 Material : Stainless Size : φ5mm × 60mm	■ Spacer 15  【FS1015】 Length : 1,200mm Material : Polypropylene (Piece Type) 【FSP1015】 Size : 40 × 40 × 15mm Material : Polypropylene	■ Sealant Backer Double flange20  【FH1020R】 Material : Fluoroplastic Resin Coated 55%Al-Zn-coated steel sheet Thickness : 0.3mm Length : 3,030mm	
■ Sealant Backer Single flange17  【FHK1017R】 Material : Fluoroplastic Resin Coated 55%Al-Zn-coated steel sheet Thickness : 0.3mm Length : 2,000mm	■ Sealant Backer Single flange05  【FHK1105R】 Material : Fluoroplastic Resin Coated 55%Al-Zn-coated steel sheet Thickness : 0.3mm Length : 2,000mm	■ Backer Rod 17  【Product number: FB1017】 Length : 1,000mm Materials : Polyethylene foam	■ Corner Backing Angle50  【JR1900】 Material : 55%Al-Zn-coated steel sheet	
■ Eaves Trim 16  【Product number: FTM10□□】 Material : Painted 55%Al-Zn-coated steel sheet Length : 3,030mm	■ L-Form Cavity Vent  【FSK1000】 Material : Polyethylene Length : 1,220mm			

NICHIHA EX SERIES (1818/1820 Panel – COOL)	Substrate	Furring Strip	Panel Installation Direction	How to fix
	Metal framework	Vertical	Horizontal	Clips (JE825)

Base



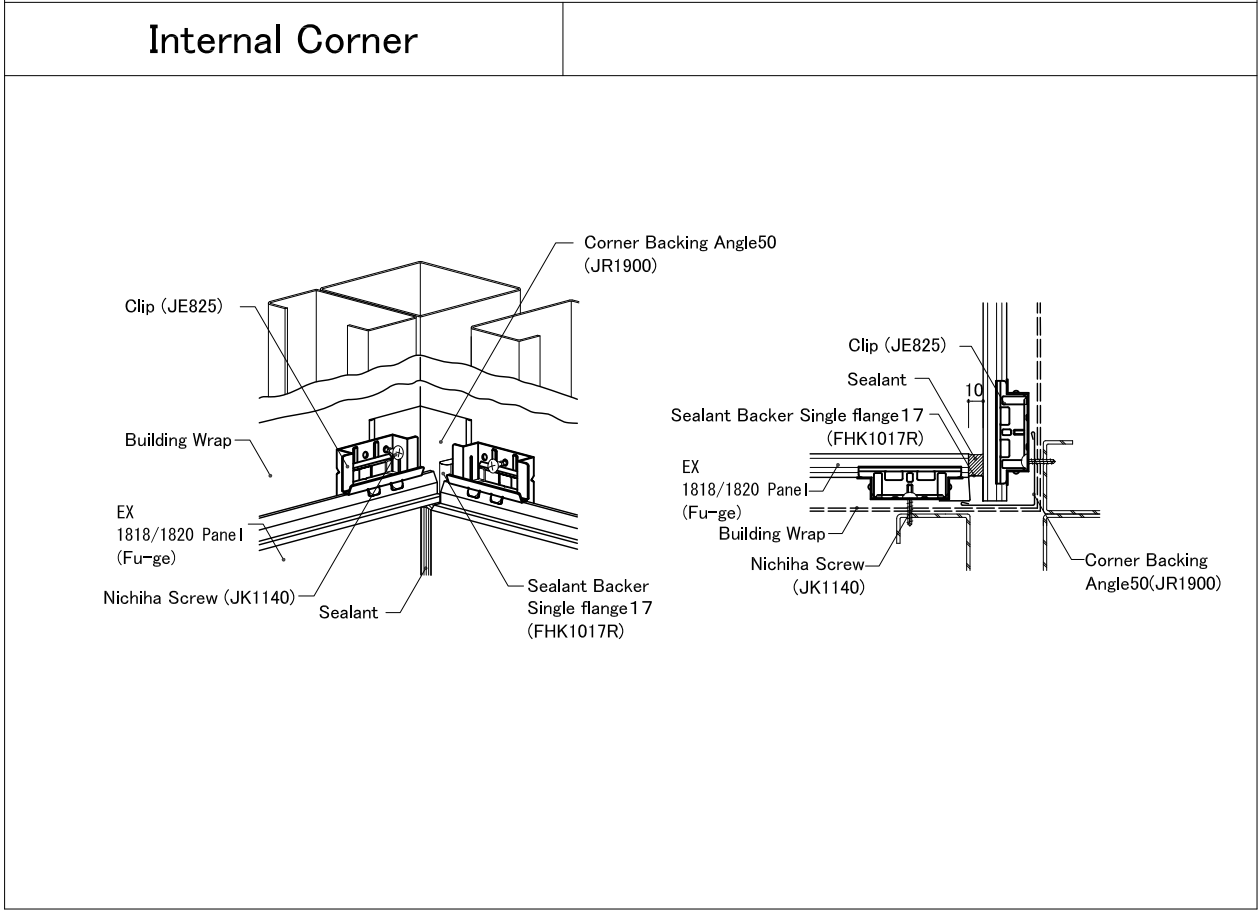
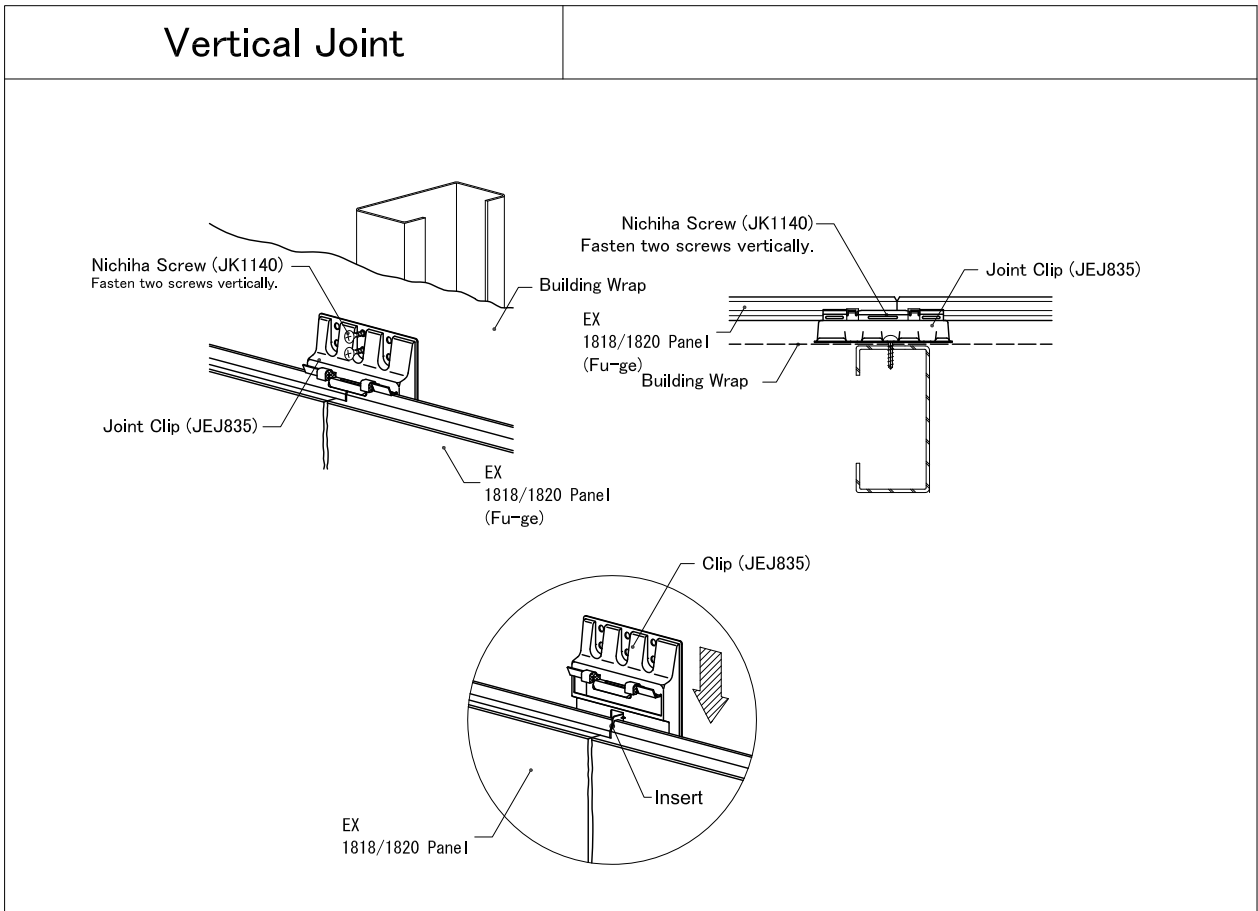
Horizontal Joint



NICHIHA EX SERIES

(1818/1820 Panel – COOL)

Substrate	Furring Strip	Panel Installation Direction	How to fix
Metal framework	Vertical	Horizontal	Clip (JE825)

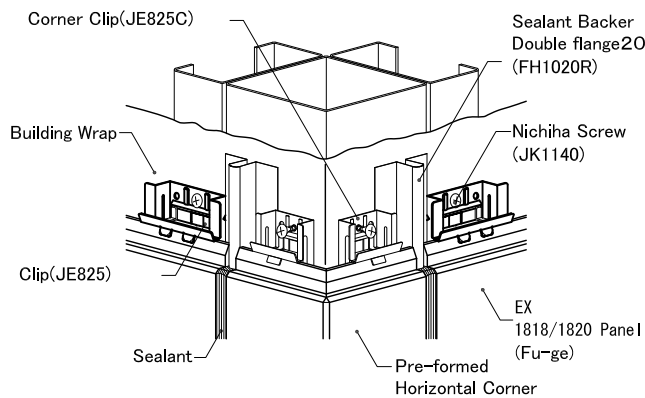


NICHIHA EX SERIES

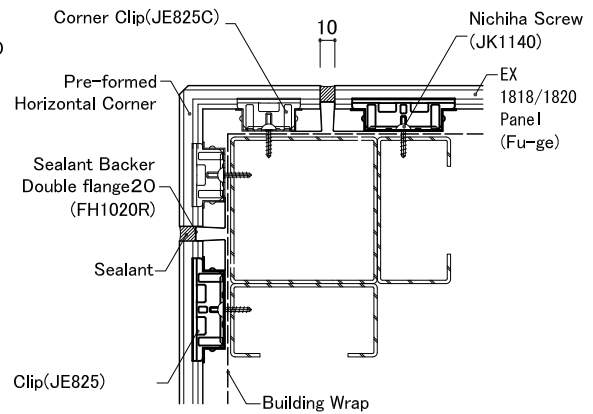
(1818/1820 Panel - COOL)

Substrate	Furring Strip	Panel Installation Direction	How to fix
Metal framework	Vertical	Horizontal	Clip (JE825)

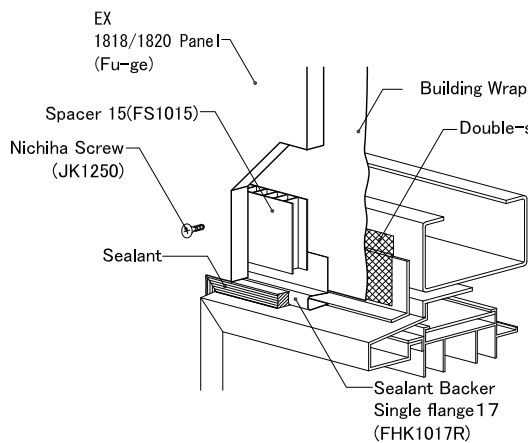
External Corner



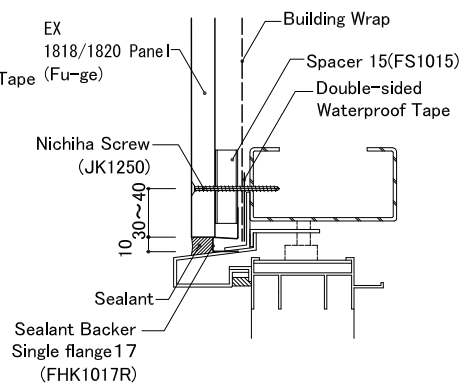
Pre-formed Corner



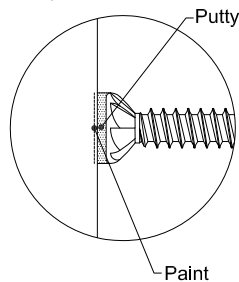
Openings



Top



Repair of the screw head



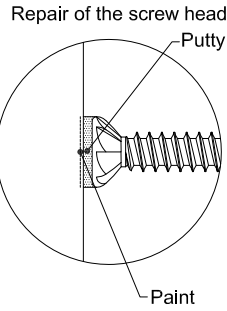
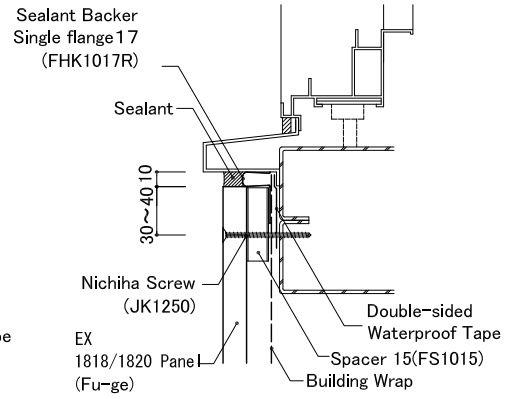
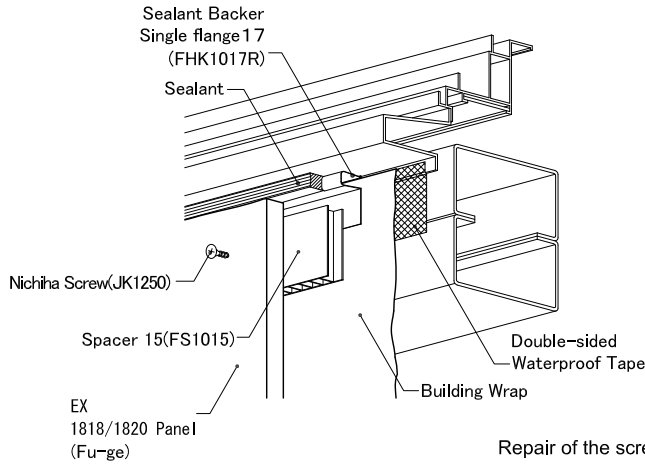
NICHIHA EX SERIES

(1818/1820 Panel – COOL)

Substrate	Furring Strip	Panel Installation Direction	How to fix
Metal framework	Vertical	Horizontal	Clip (JE825)

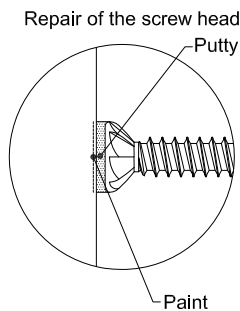
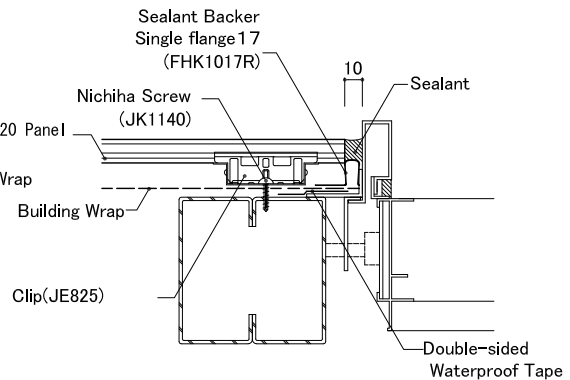
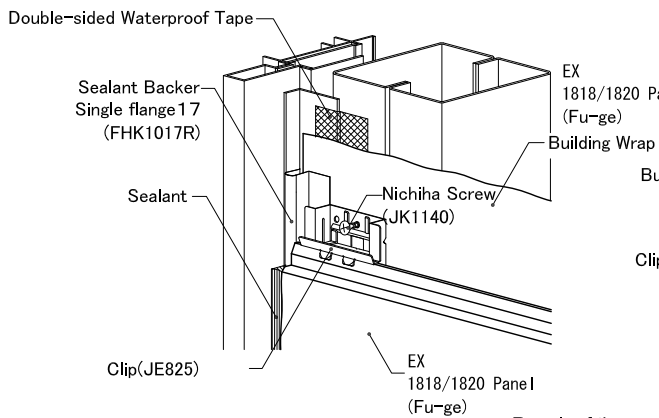
Openings

Bottom



Openings

Sides



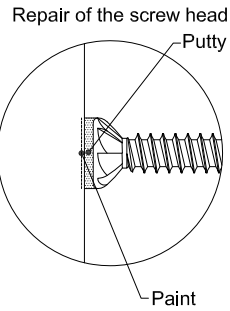
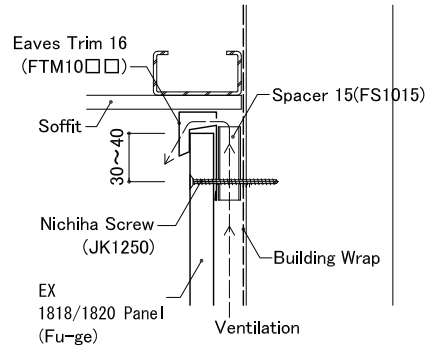
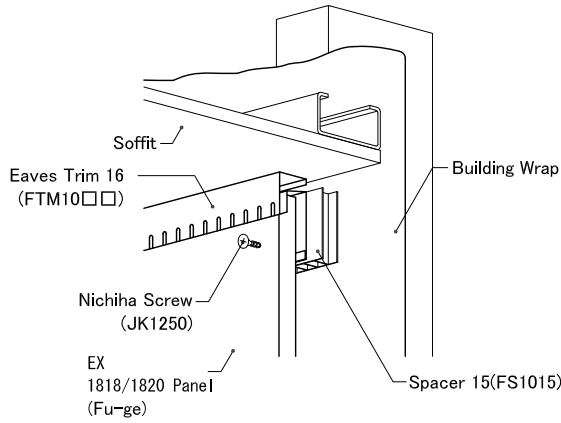
NICHIHA EX SERIES

(1818/1820 Panel - COOL)

Substrate	Furring Strip	Panel Installation Direction	How to fix
Metal framework	Vertical	Horizontal	Clip (JE825)

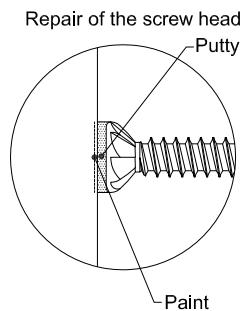
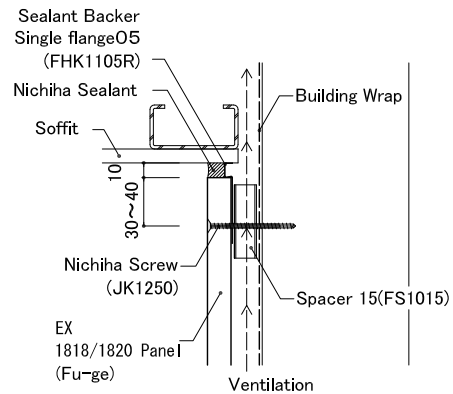
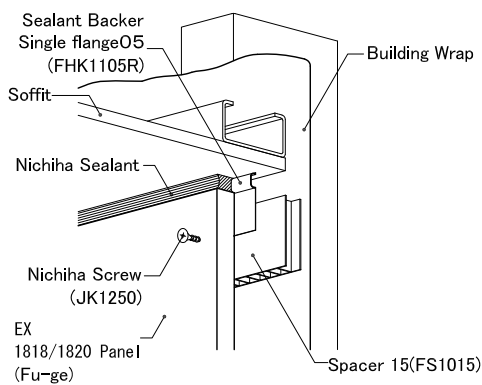
Soffit

Eaves Trim 16



Soffit

Sealant

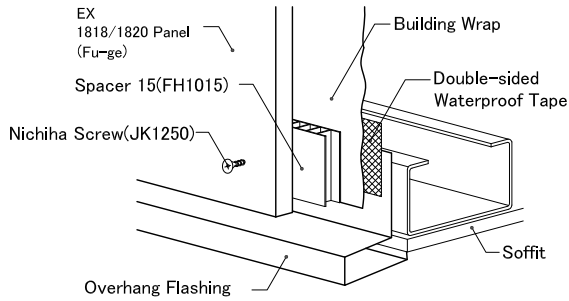


NICHIHA EX SERIES

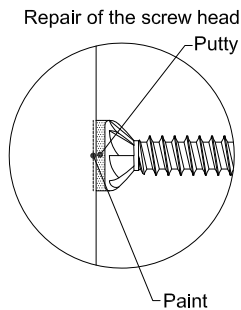
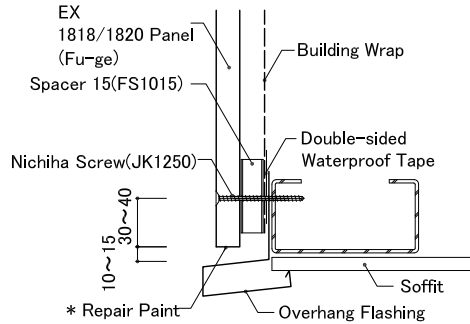
(1818/1820 Panel – COOL)

Substrate	Furring Strip	Panel Installation Direction	How to fix
Metal framework	Vertical	Horizontal	Clip (JE825)

Overhang



Overhang Flashing



Cut Edge

All surface without sealant should be applied by primer for at least twice. (Apply second layer after the first layer is dried)

Parapet

L-Form Cavity Vent

