

# NICHIHA EX SERIES 3030 PANEL

## VERTICAL INSTALLATION MANUAL

【Construction】 Steel Structure

【 Substrate 】 Horizontal Metal Framework

### Metal framework

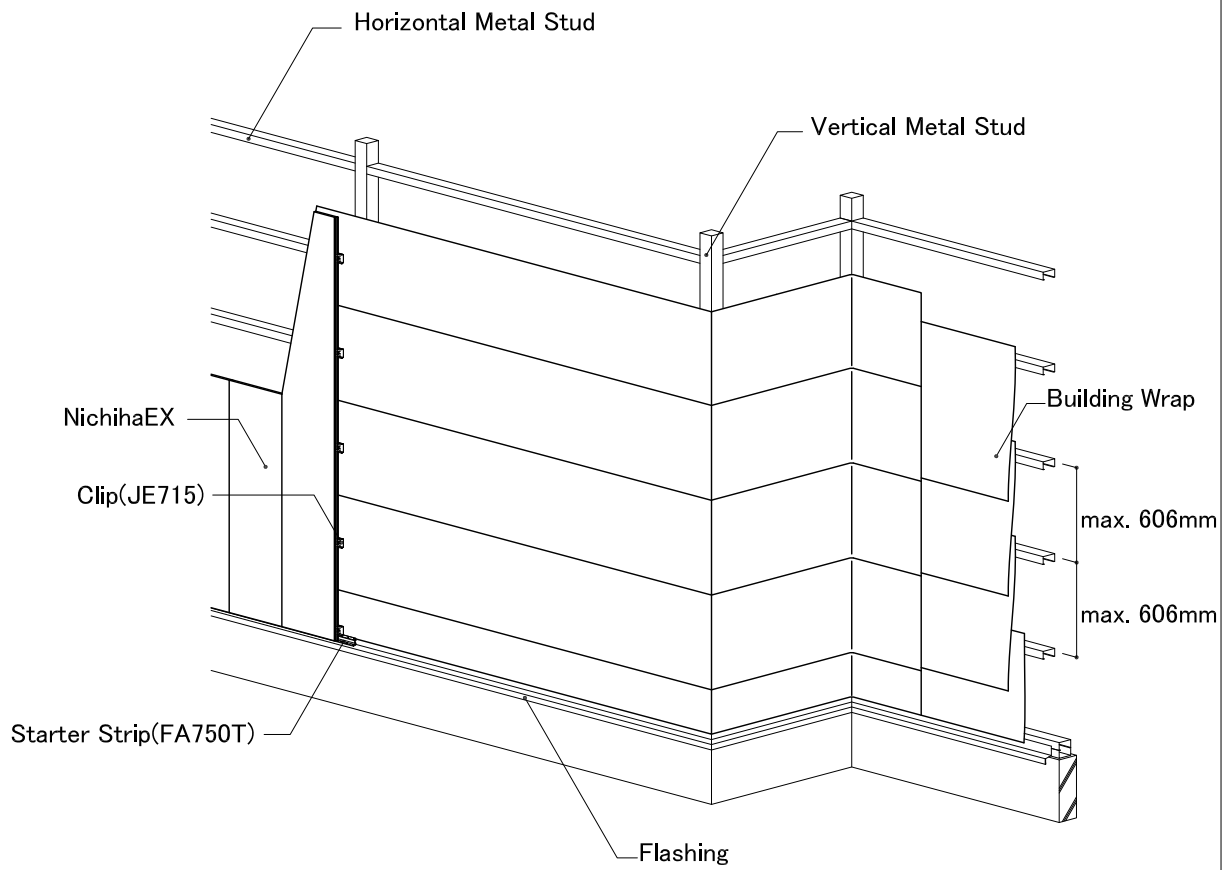
Overview	
Main Member	
Base	
Horizontal Junction	
Vertical Junction	
Internal Corner	
External Corner	Pre-formed Corner
Opennings	Top Bottom Sides
Soffit	Eaves Trim Sealant
Overhang	Overhang Flashing

# NICHIHA EX SERIES

(3030 panel)

Substrate	Furring Strip	Panel Installation Direction	How to fix Clips (JE715)
Metal framework	Horizontal	Vertical	

## Overview



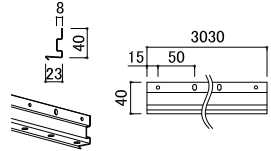
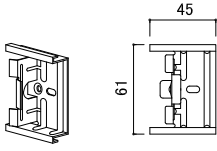
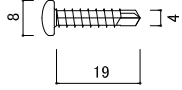
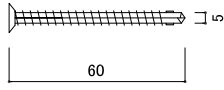
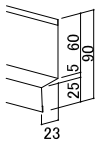
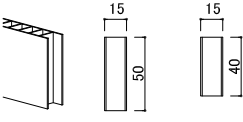
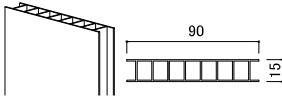
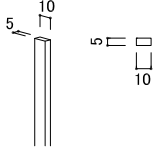
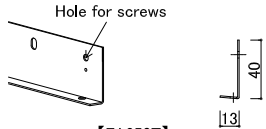
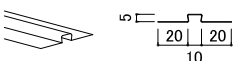
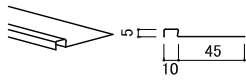
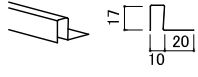
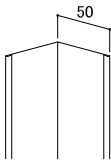
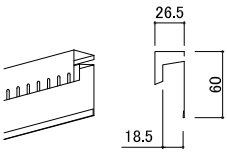
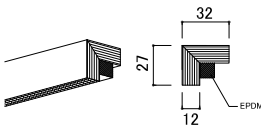
### Cut Edge

Repair the cut edge of Nichiha EX. Apply sealer twice or repair coating after the sealer application with the touch-up paint.

# NICHIHA EX SERIES

(3030 panel)

Substrate	Furring Strip	Panel Installation Direction	How to fix
Metal framework	Horizontal	Vertical	Clips (JE715)

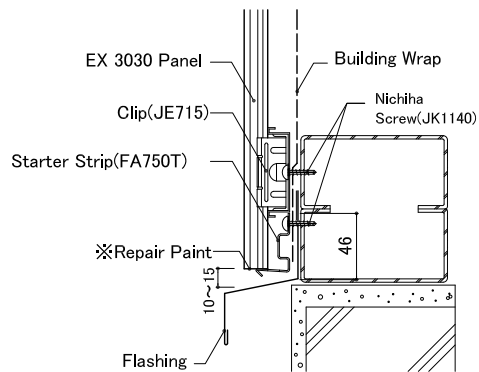
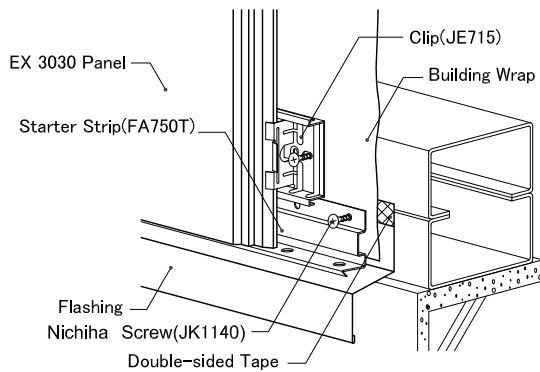
Main Accessories			
<p>■ Starter Strip</p>  <p>Material : Painted 55%Al-Zn-coated steel sheet Thickness: 1.0mm Length : 3,030mm Fastening : @250mm or less interval Note : fix with Nichiha Screws</p>	<p>■ Clip</p>  <p>Material : Zn-11%Al-3%Mg-0.2%Si-coated steel sheet Note : fix with Nichiha Screws</p>	<p>■ Nichiha Screw (for fixing Starter Strip・Clip)</p>  <p>Material : Stainless Size : φ 4mm × 19mm</p>	<p>■ Nichiha Screw (for face fixing Panel)</p>  <p>Material : Stainless Size : φ 5mm × 60mm</p>
<p>■ Joint Flashing 23E</p>  <p>Material : Painted 55%Al-Zn-coated steel sheet Thickness: 0.35mm Length : 3,030mm</p>	<p>■ Spacer 15</p>  <p>Length : 1,200mm Material : Polypropylene</p> <p>(Piece Type) 【FSP1015】 Size : 40 × 40 × 15mm Material : Polypropylene</p>	<p>■ Spacer 15T</p>  <p>Length : 2,000mm Material : Polypropylene</p>	<p>■ Backer Rod 05</p>  <p>Length : 1,000mm Material : Polyethylene foam</p>
<p>■ Starter Strip (Horizontal Junction)</p>  <p>Material : Painted 55%Al-Zn-coated steel sheet Thickness: 1.0mm Length : 3,030mm Fastening : @250mm or less interval Note : fix with Nichiha Screws</p>	<p>■ Sealant Backer Double Flange 05</p>  <p>Material : Fluoroplastic Resin Coated 55%Al-Zn-coated steel sheet Thickness: 0.3mm Length : 3,030mm</p>	<p>■ Sealant Backer Single Flange 05</p>  <p>Material : Fluoroplastic Resin Coated 55%Al-Zn-coated steel sheet Thickness: 0.3mm Length : 2,000mm</p>	<p>■ Sealant Backer Single Flange 17</p>  <p>Material : Fluoroplastic Resin Coated 55%Al-Zn-coated steel sheet Thickness: 0.3mm Length : 2,000mm</p>
<p>■ Corner Backing Angle 50</p>  <p>Material : 55%Al-Zn-coated steel sheet</p>	<p>■ Eaves Trim 16</p>  <p>Material : Painted 55%Al-Zn-coated steel sheet Length : 3,030mm</p>	<p>■ L-Form Cavity Vent</p>  <p>Material : Polyethylene Length : 1,220mm</p>	

# NICHIHA EX SERIES

(3030 panel)

Substrate	Furring Strip	Panel Installation Direction	How to fix
Metal framework	Horizontal	Vertical	Clips (JE715)

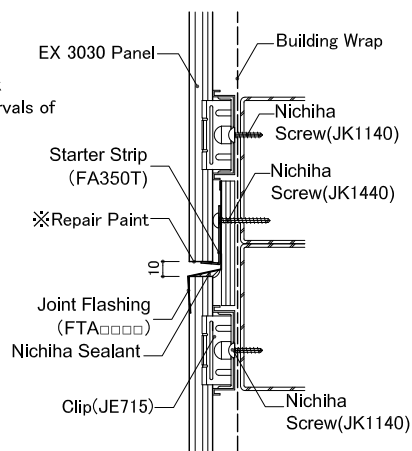
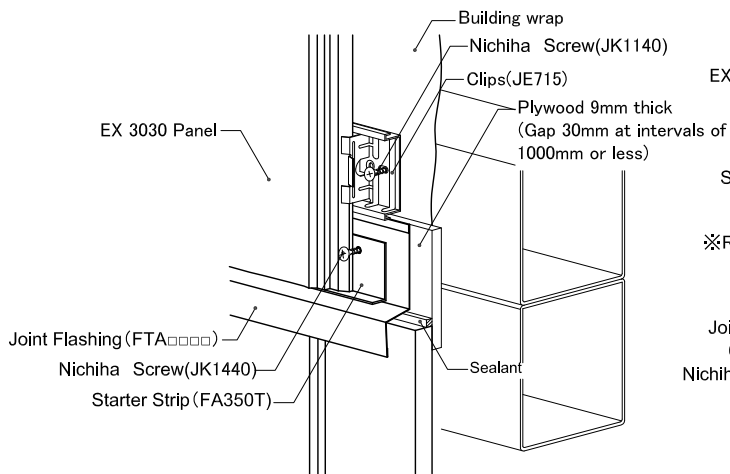
## Base



**Cut Edge**

Repair the cut edge of Nichiha EX. Apply sealer twice or repair coating after the sealer application with the touch-up paint.

## Horizontal Junction

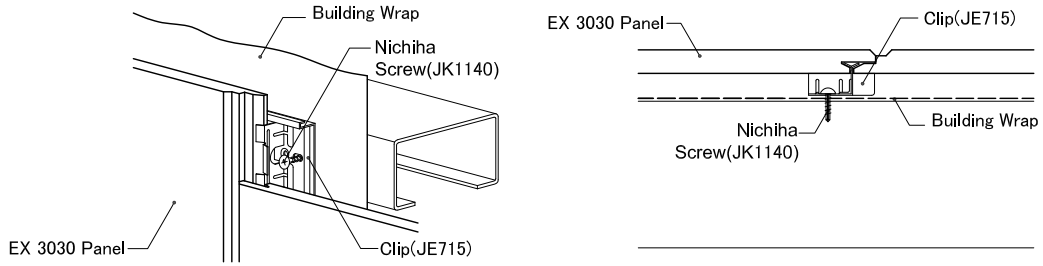


**Cut Edge**

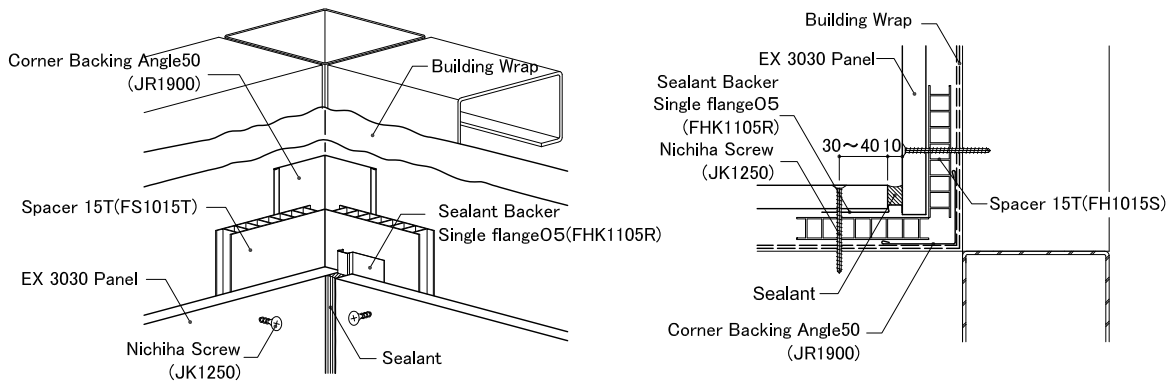
Repair the cut edge of Nichiha EX. Apply sealer twice or repair coating after the sealer application with the touch-up paint.

NICHHA EX SERIES (3030 panel)	Substrate	Furring Strip	Panel Installation Direction	How to fix
	Metal framework	Horizontal	Vertical	Clips (JE715)

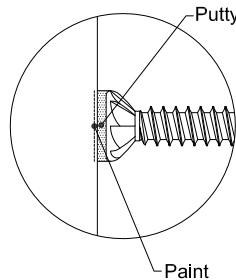
## Vertical Joint



## Internal Corner



Repair of the screw head

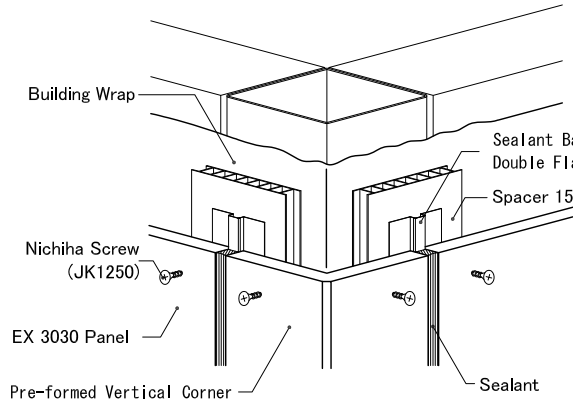


# NICHIHA EX SERIES

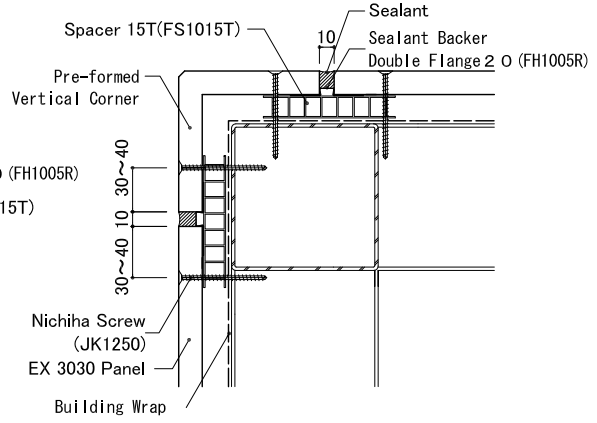
(3030 panel)

Substrate	Furring Strip	Panel Installation Direction	How to fix
Metal framework	Horizontal	Vertical	Clips (JE715)

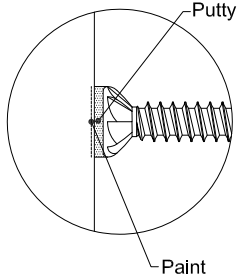
## External Corner



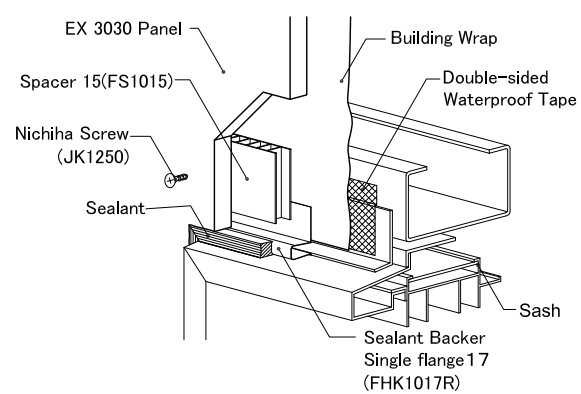
## Pre-formed Corner



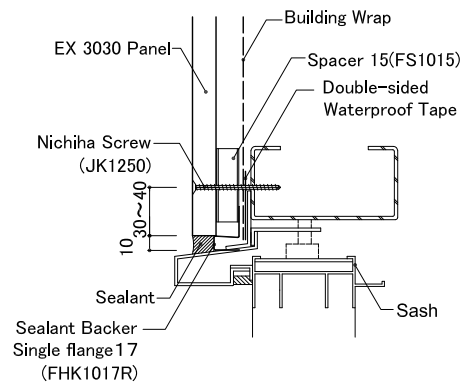
### Repair of the screw head



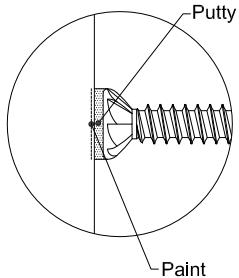
## Openings



## Top



### Repair of the screw head

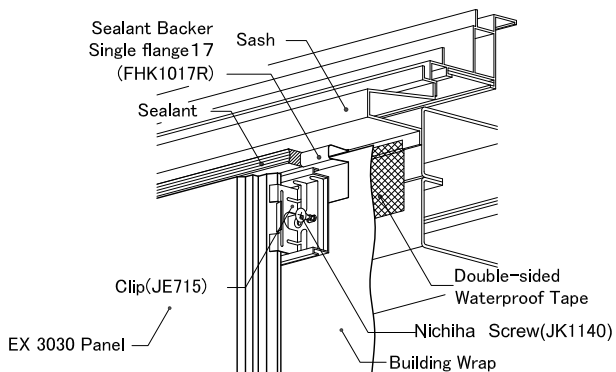


# NICHIHA EX SERIES

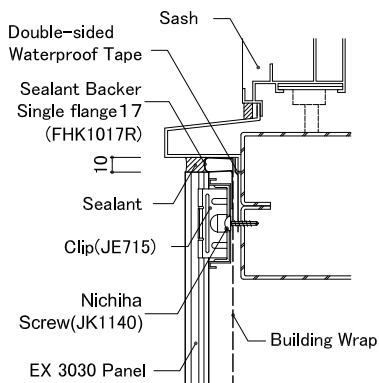
(3030 panel)

Substrate	Furring Strip	Panel Installation Direction	How to fix
Metal framework	Horizontal	Vertical	Clips (JE715)

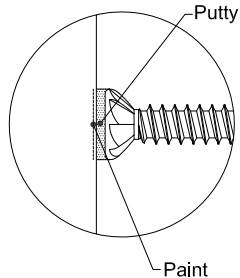
## Openings



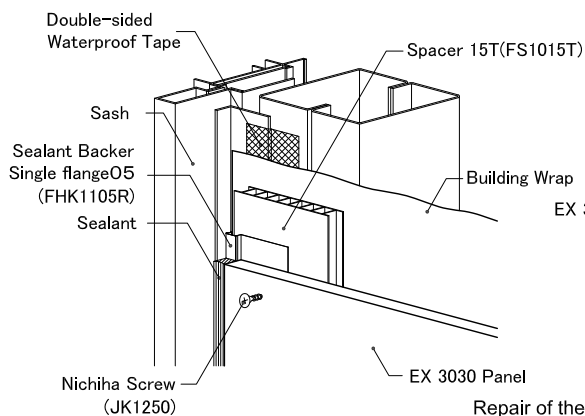
## Bottom



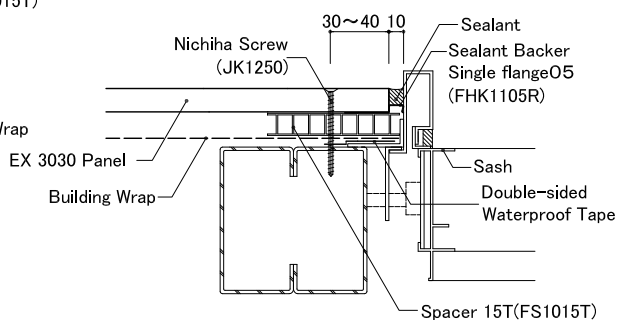
### Repair of the screw head



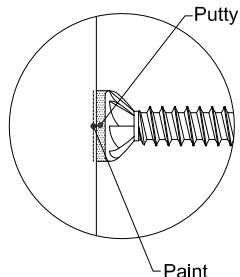
## Openings



## Sides



### Repair of the screw head



# NICHIHA EX SERIES

(3030 panel)

Substrate  
Metal framework

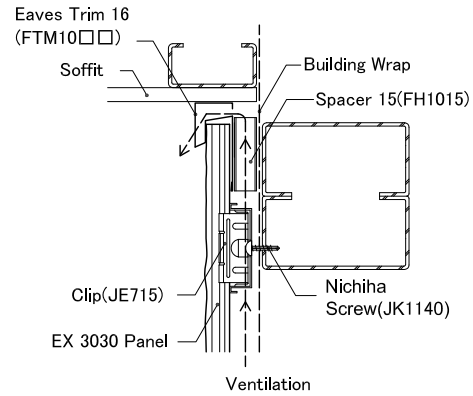
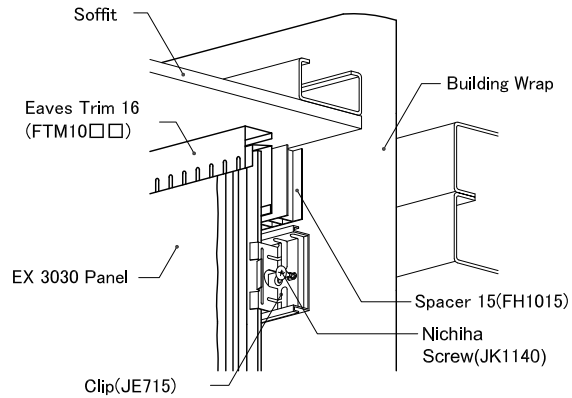
Furring Strip  
Horizontal

Panel Installation  
Direction  
Vertical

How to fix  
Clips  
(JE715)

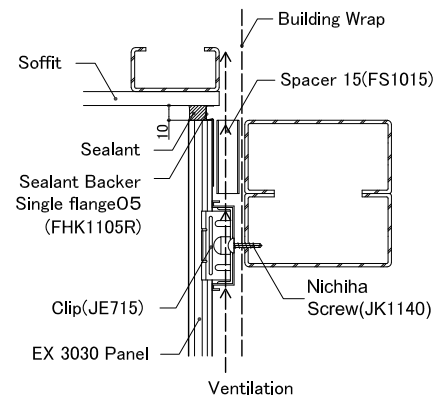
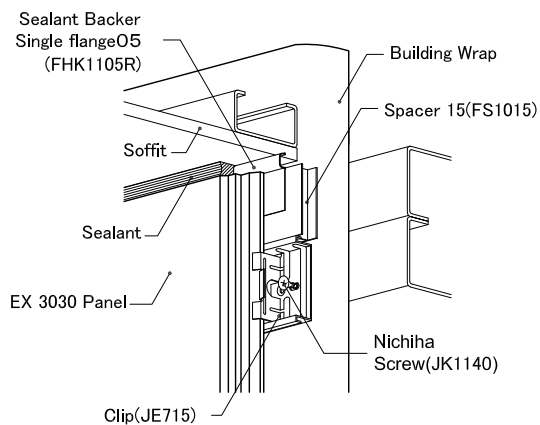
## Soffit

## Eaves Trim 16



## Soffit

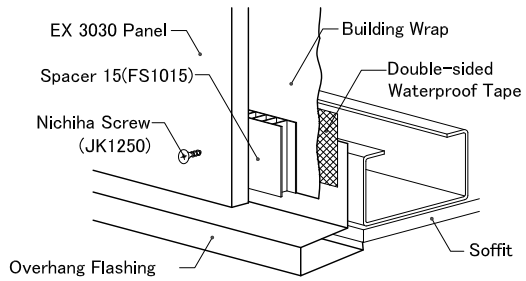
## Sealant



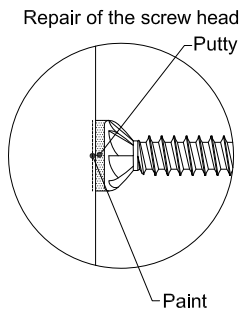
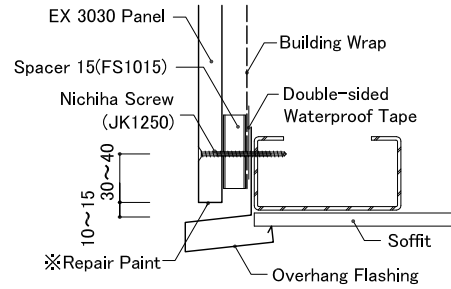


NICHIIHA EX SERIES (3030 panel)	Substrate	Furring Strip	Panel Installation Direction	How to fix
	Metal framework	Horizontal	Vertical	Clips (JE715)

## Overhang



## Overhang Flashing



### Cut Edge

Repair the cut edge of Nichiha EX. Apply sealer twice or repair coating after the sealer application with the touch-up paint.

## Parapet

## L-Form Cavity Vent

