

NICHIHA EX SERIES 3030 PANEL

VERTICAL INSTALLATION MANUAL

【Construction】 RC Structure

【 Substrate 】 Horizontal Metal Furring Strip

Overview	
Main Member	
Base	
Horizontal Joint	Shiplap Joint Flashing
Vertical Joint	
Internal Corner	
External Corner	Pre - formed Corner
Overhang	
Soffit	
Parapet	
Openings	Top Sides Bottom

NICHIHA EX SERIES (3030 Panel)

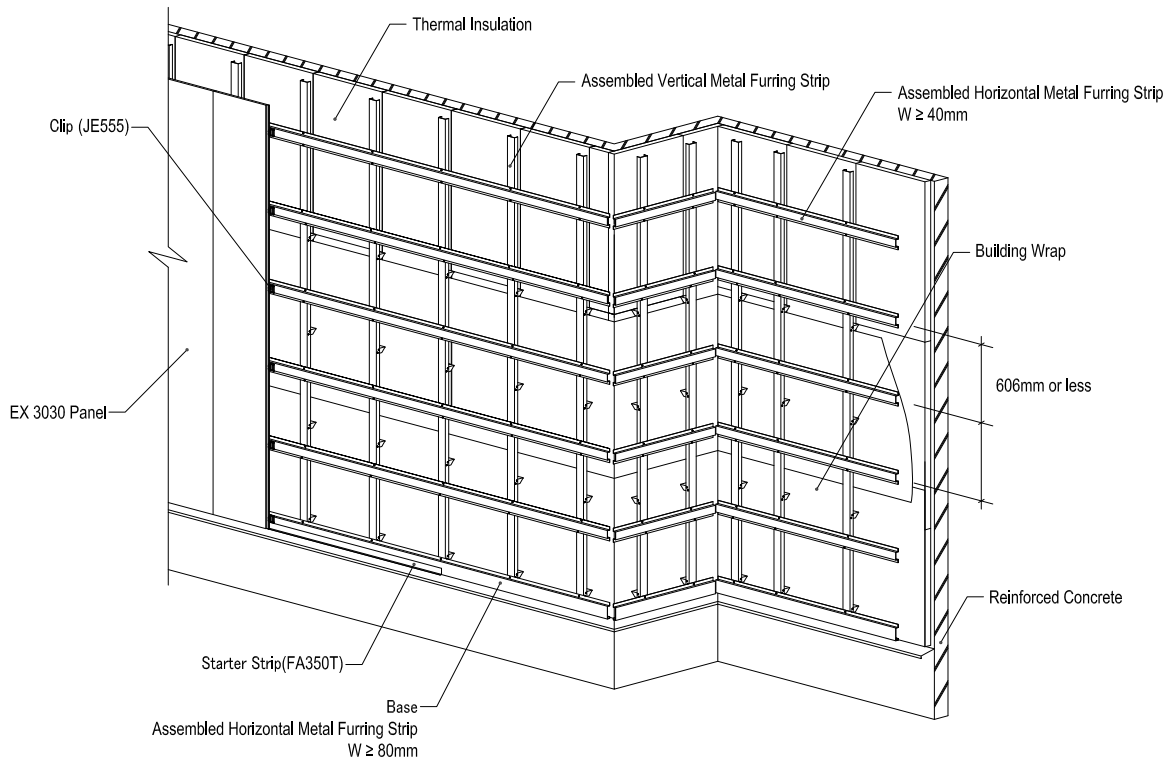
Substrate
Metal Furring Strip

Furring Strip
Horizontal

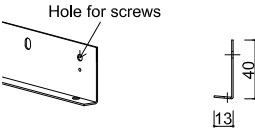
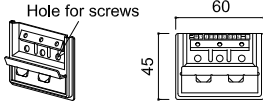

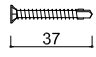
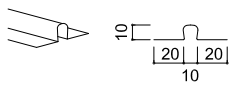
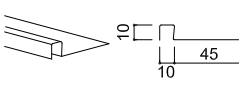
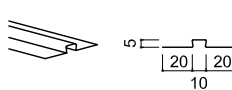
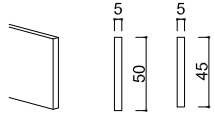
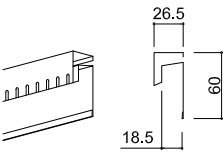
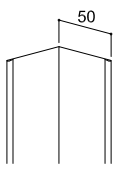
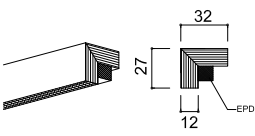
Panel Installation
Direction
Vertical

How to fix
Clip
(JE555)

Overview



NICHHA EX SERIES (3030 Panel)	Substrate	Furring Strip	Panel Installation Direction	How to fix
	Metal Furring Strip	Horizontal	Vertical	Clip (JE555)

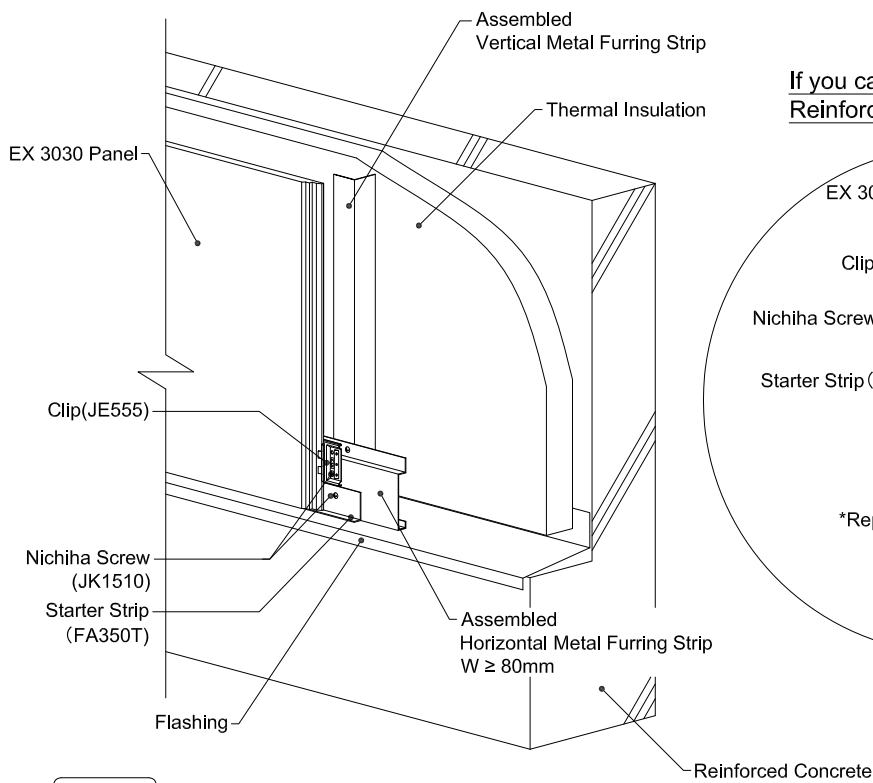
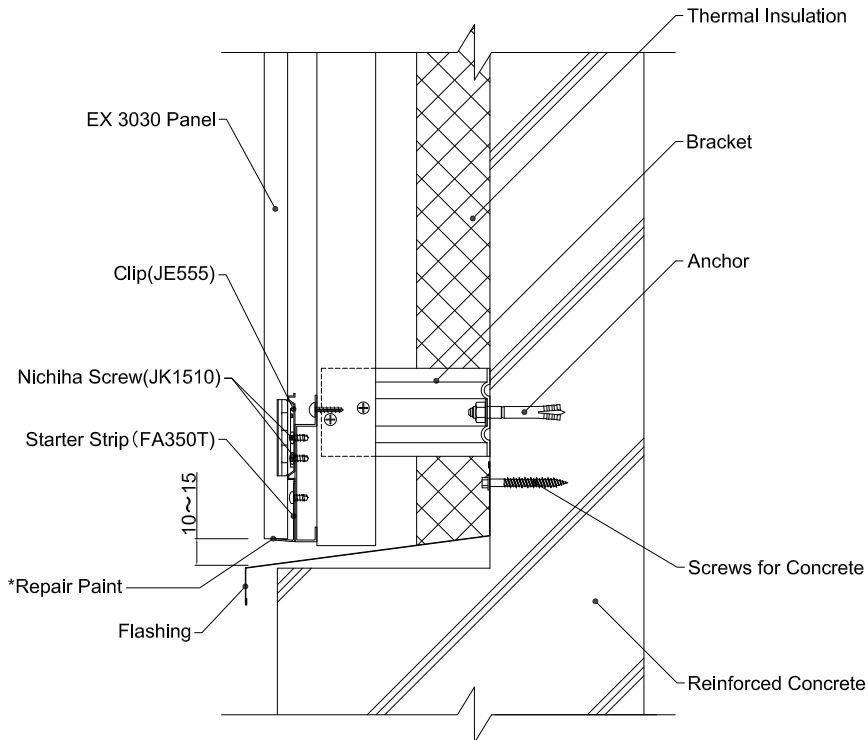
Main Accessories			
<p>■ Starter Strip</p>  <p>【FA350T】 Materials: Painted 55%Al-Zn-coated steel sheet Thickness: 1.0mm Length: 3,030mm Fastening interval: @250mm or less Note: fix with Nichiha Screws</p>	<p>■ Clip</p>  <p>【JE555】 Material: Zn-11%Al-3%Mg-0.2%Si-coated steel sheet Note: fix with Nichiha Screws</p>	<p>■ Nichiha Screw (for fixing Starter Strip・Clips)</p>  <p>【JK1510】 Material: Stainless Size: φ4.5mm×10mm</p>	<p>■ Nichiha Screw (for face fixing Panel)</p>  <p>【JK1520】 Material: Stainless Size: φ4.5mm×37mm</p>
<p>■ Sealant Backer Double Flange 10</p>  <p>【FH1010R】 Material: Fluoroplastic Resin Coated 55%Al-Zn-coated steel sheet Thickness: 0.3mm Length: 3,030mm</p>	<p>■ Sealant Backer Single Flange 10</p>  <p>【FHK1110R】 Material: Fluoroplastic Resin Coated 55%Al-Zn-coated steel sheet Thickness: 0.3mm Length: 2,000mm</p>	<p>■ Sealant Backer Double Flange 05</p>  <p>【FHK1005R】 Material: Fluoroplastic Resin Coated 55%Al-Zn-coated steel sheet Thickness: 0.3mm Length: 3,030mm</p>	<p>■ Spacer 05</p>  <p>【FS1005】 Length: 1,200mm Material: Polypropylene (Piece Type) 【FSP1005】 Length: 1,000mm Materials: Polypropylene</p>
<p>■ Eaves Trim 16</p>  <p>【FTM10□□】 Materials: Painted 55%Al-Zn-coated steel sheet Thickness: 0.35mm Length: 3,030mm</p>	<p>■ Internal Corner Backing</p>  <p>【JR1900】 Material: Painted 55%Al-Zn-coated steel sheet Thickness: 0.27mm Length: 3,030mm</p>	<p>■ L-Form Cavity Vent</p>  <p>【FSK1000】 Material: Polyethylene Length : 1,220mm</p>	

NICHIHA EX SERIES (3030 panel)

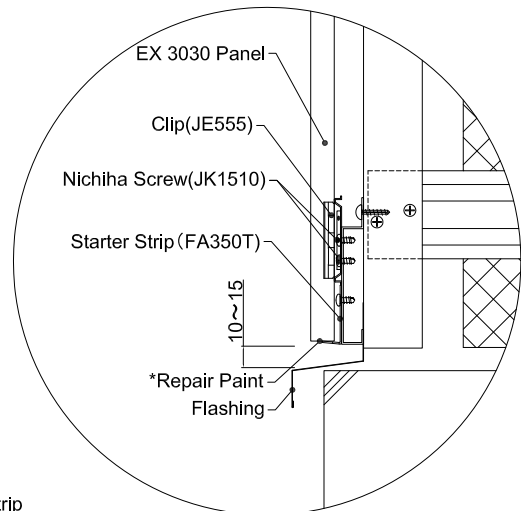
Substrate	Furring Strip	Panel Installation Direction		How to fix
		Horizontal	Vertical	
Metal Furring Strip	Horizontal		Vertical	Clip (JE555)

Base

Flashing , Starter strip



If you can not fasten the Flashing to Reinforced Concrete



Note

Repair the cutting edge of Nichiha EX. Apply a sealer twice or repair coating after the sealer application with the repair solution.

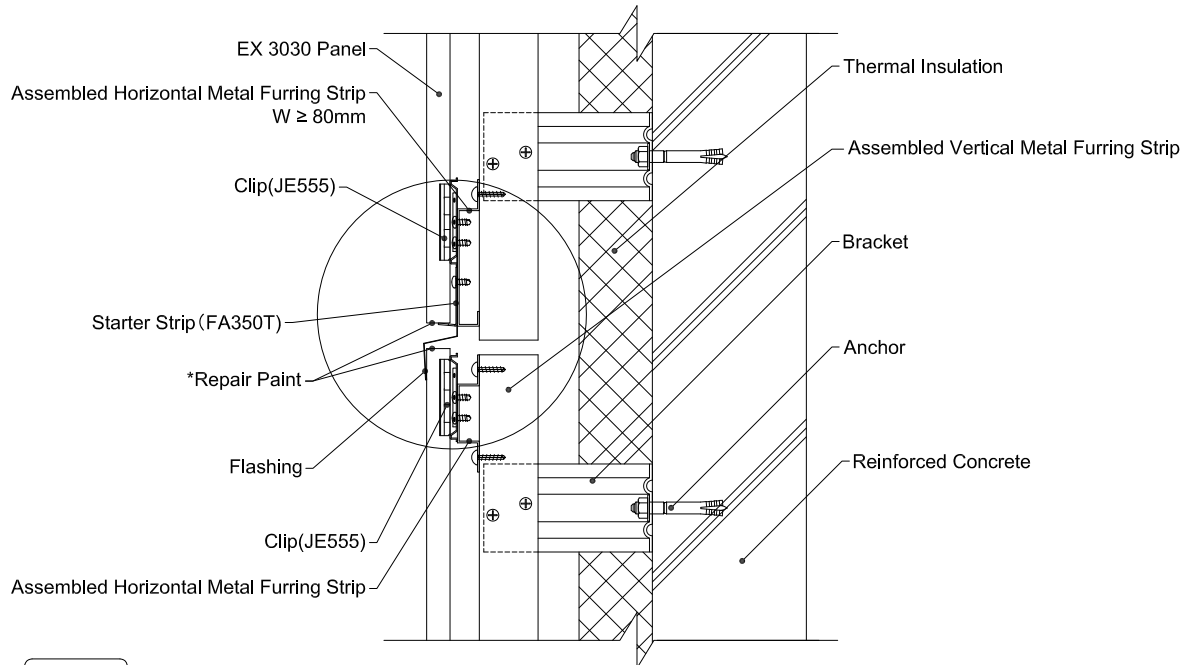
NICHIHA EX SERIES

(3030 panel)

Substrate	Furring Strip	Panel Installation Direction		How to fix
		Horizontal	Vertical	
Metal Furring Strip	Horizontal	Vertical		Clip (JE555)

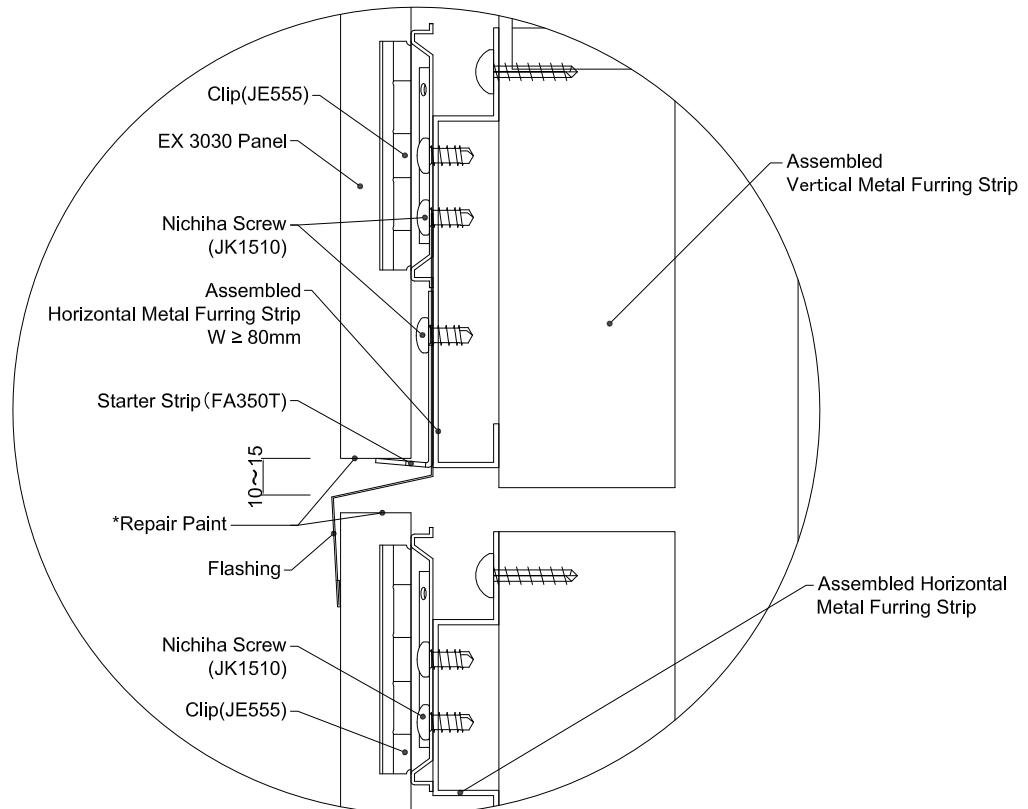
Horizontal Joint

Flashing



Note

Repair the cutting edge of Nichiha EX. Apply a sealer twice or repair coating after the sealer application with the repair solution.



Note

Repair the cutting edge of Nichiha EX. Apply a sealer twice or repair coating after the sealer application with the repair solution.

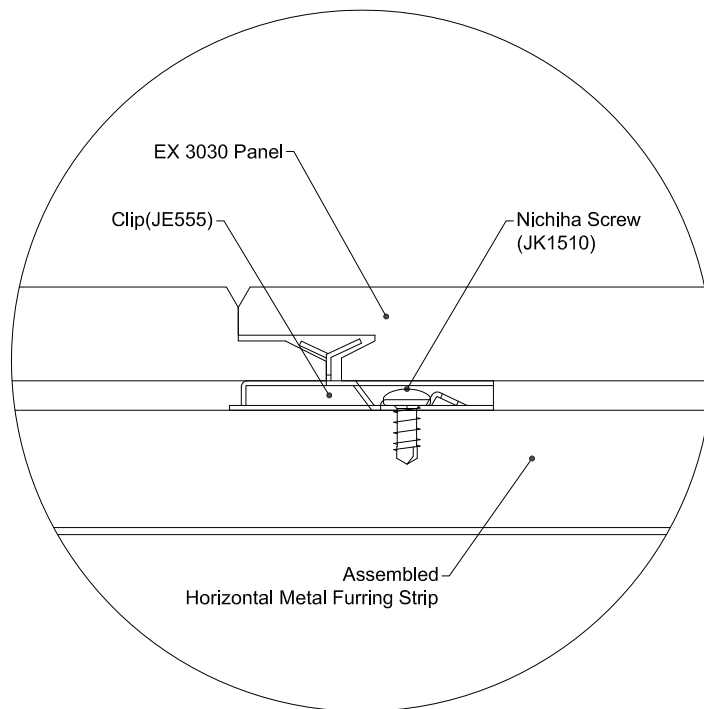
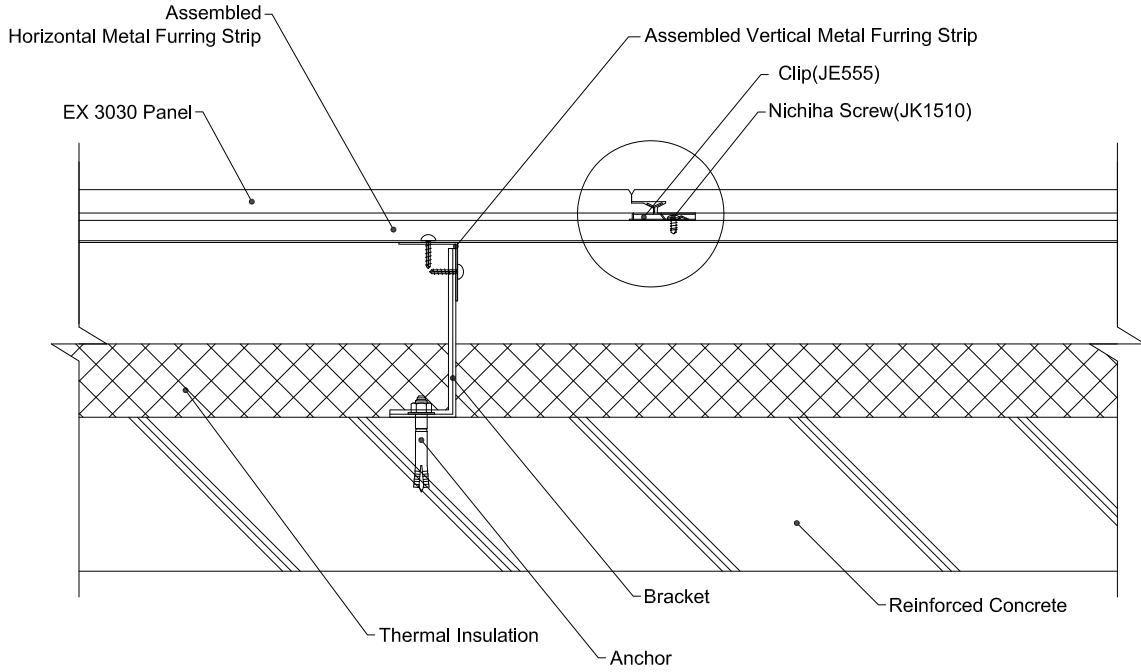
NICHIHA EX SERIES

(3030 panel)

Substrate	Furring Strip	Panel Installation Direction		How to fix
		Metal Furring Strip	Horizontal	

Vertical Joint

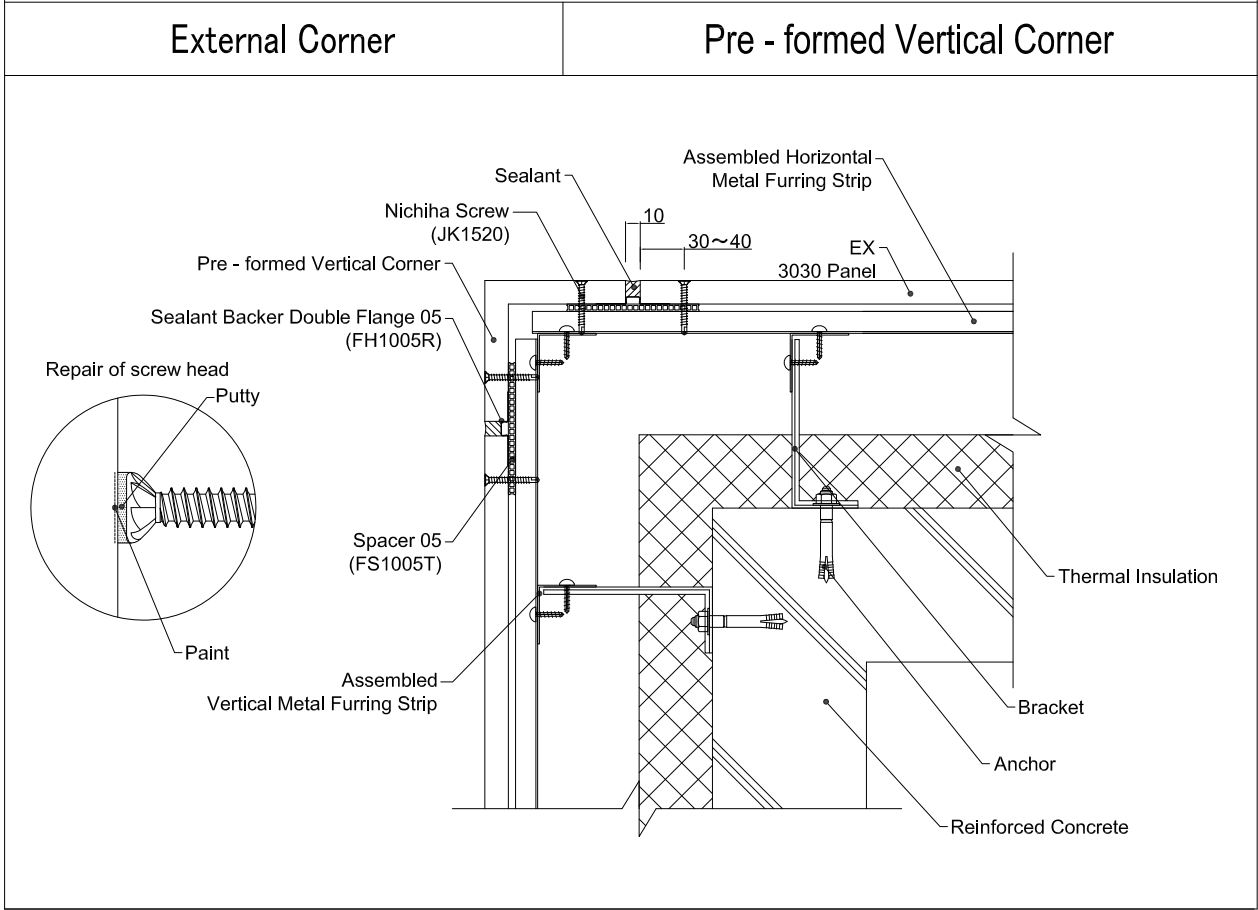
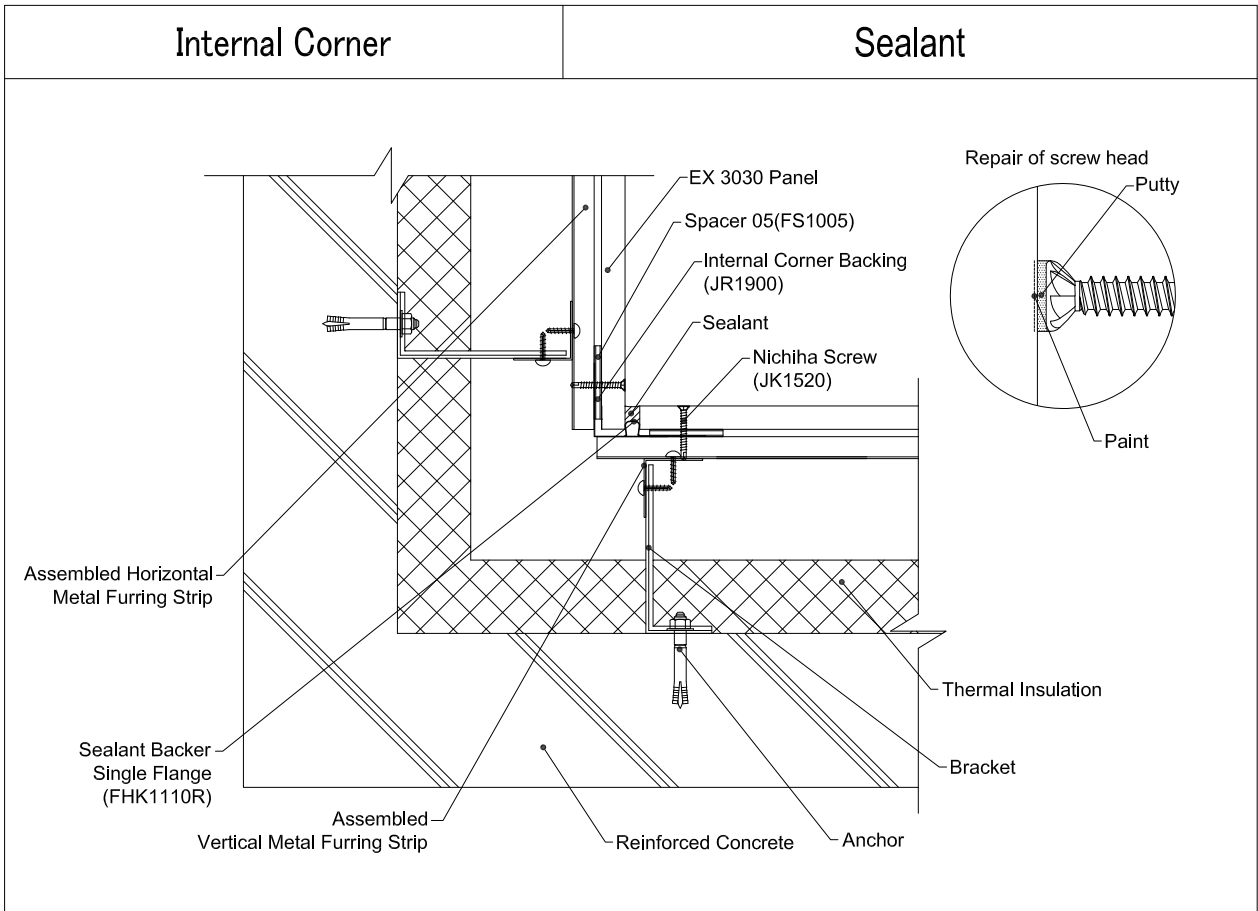
Shiplap Joint



NICHIHA EX SERIES

(3030 panel)

Substrate	Furring Strip	Panel Installation Direction		How to fix
	Metal Furring Strip	Horizontal	Vertical	Clip (JE555)



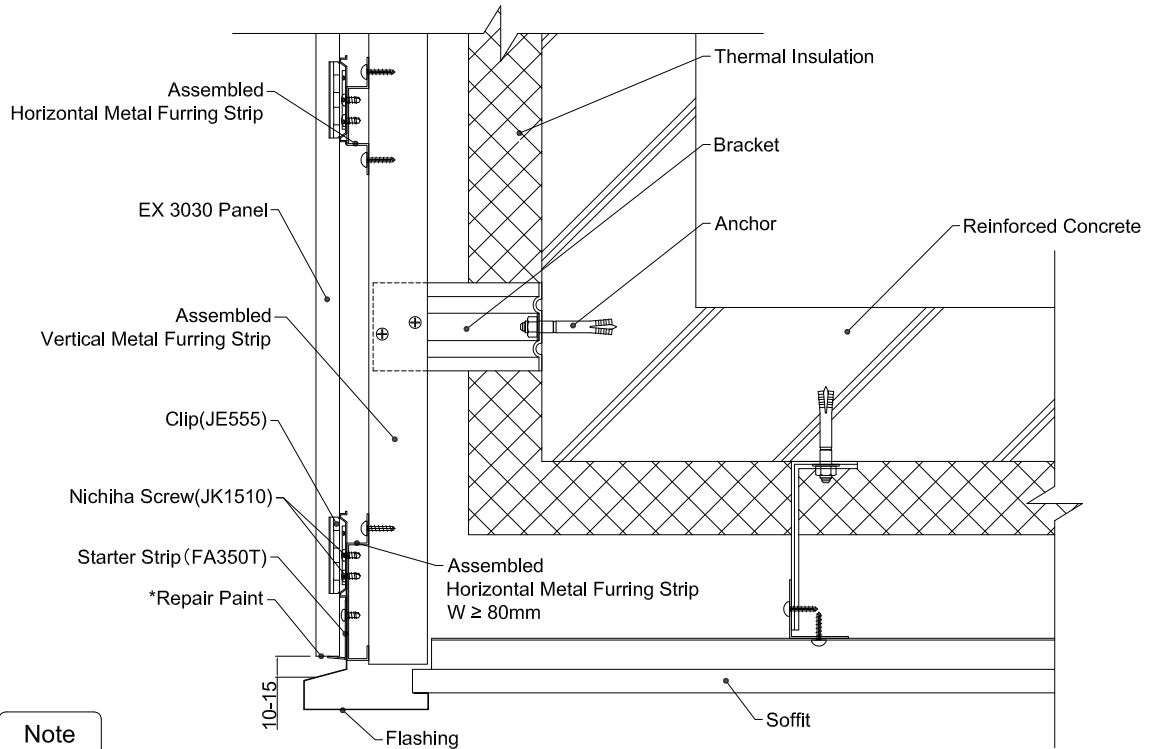
NICHIHA EX SERIES

(3030 panel)

Substrate	Panel Installation Direction		How to fix
	Furring Strip		
Metal Furring Strip	Horizontal	Vertical	Clip (JE555)

Overhang

Flashing

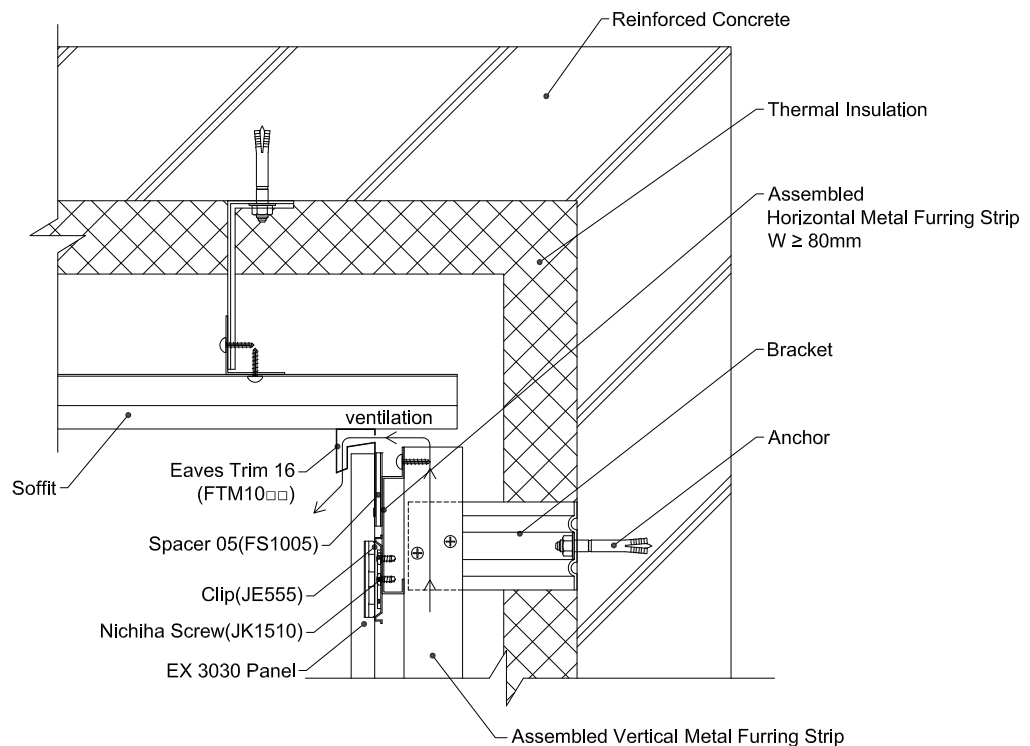


Note

Repair the cutting edge of Nichiha EX. Apply a sealer twice or repair coating after the sealer application with the repair solution.

Soffit

Eaves Trim 16



Note

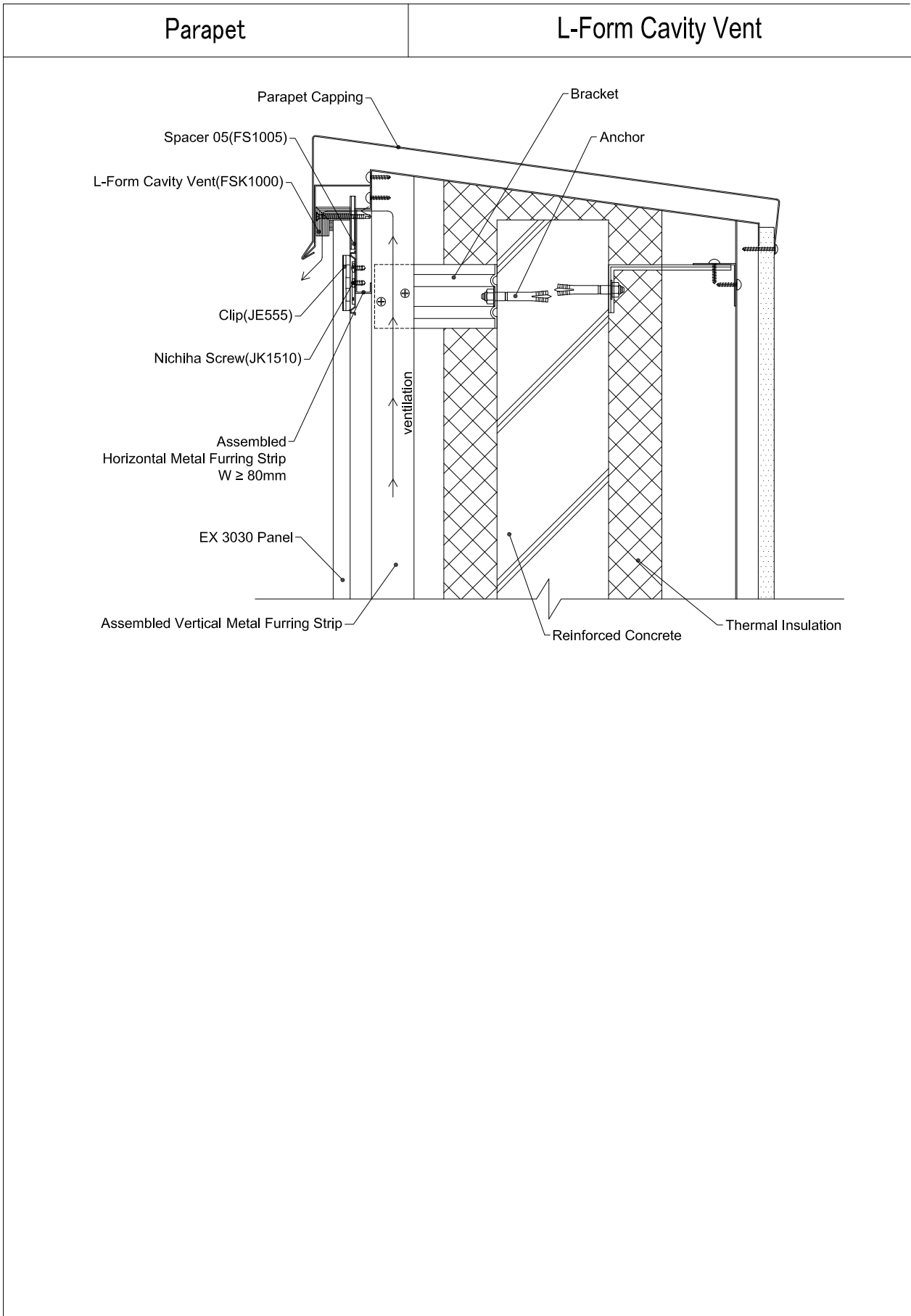
□□ : Color numbers.

NICHIHA EX SERIES (3030 panel)

Substrate	Furring Strip	Panel Installation Direction	How to fix
Metal Furring Strip	Horizontal	Vertical	Clip (JE555)

Parapet

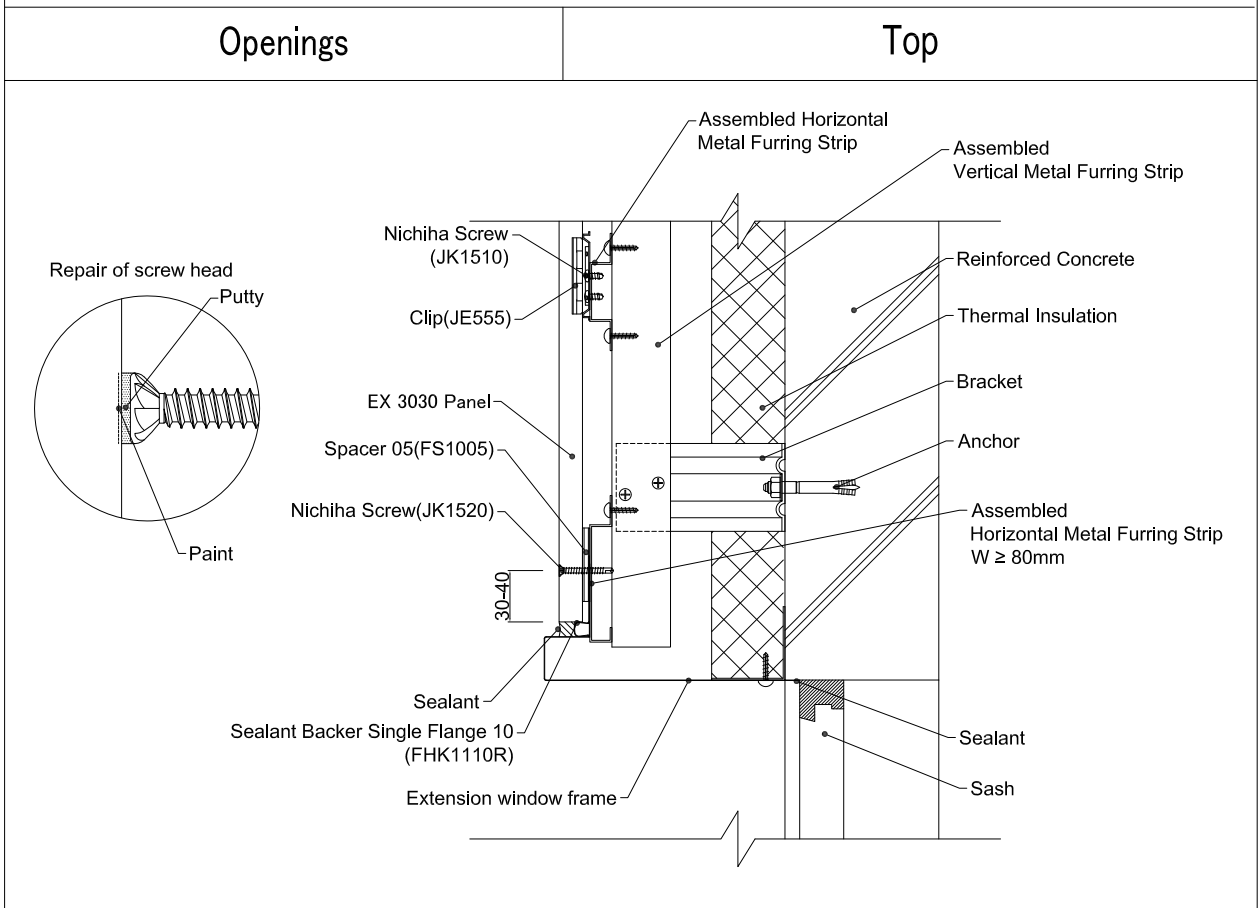
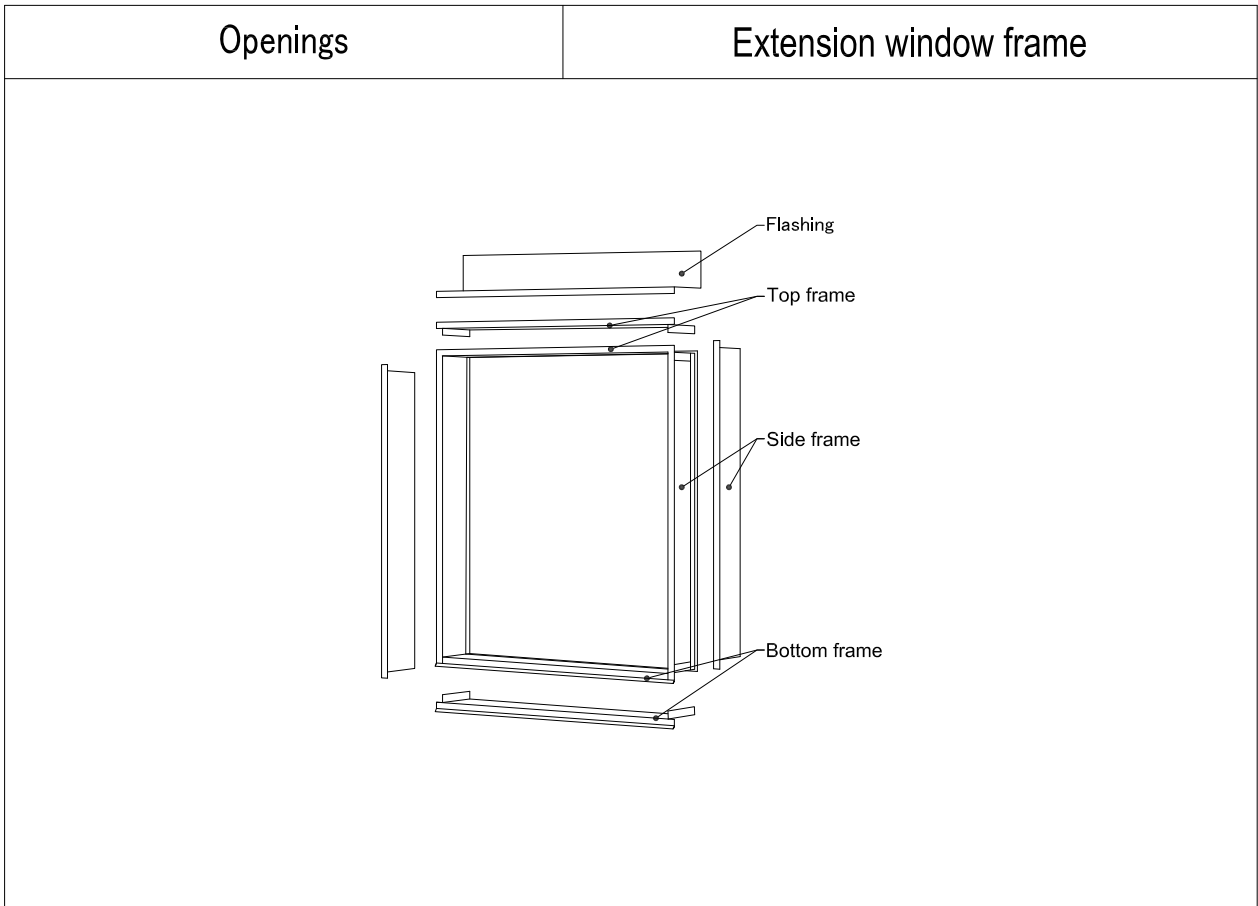
L-Form Cavity Vent



NICHIHA EX SERIES

(3030 panel)

Substrate	Furring Strip	Panel Installation Direction		How to fix
		Horizontal	Vertical	
Metal Furring Strip	Horizontal	Vertical		Clip (JE555)



NICHIHA EX SERIES

(3030 panel)

Substrate	Furring Strip	Panel Installation Direction	How to fix
Metal Furring Strip	Horizontal	Vertical	Clip (JE555)

