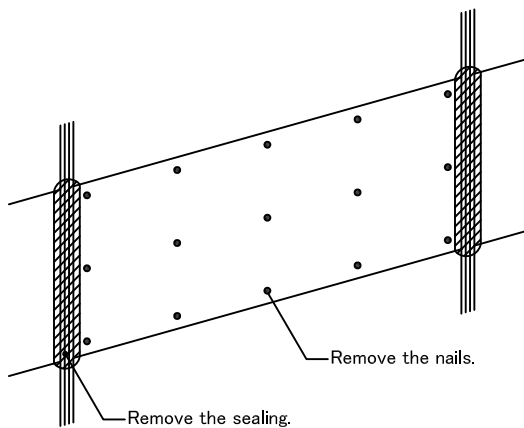


Repair method for Nichiha Siding

Method of partial replacement: Nailing installation

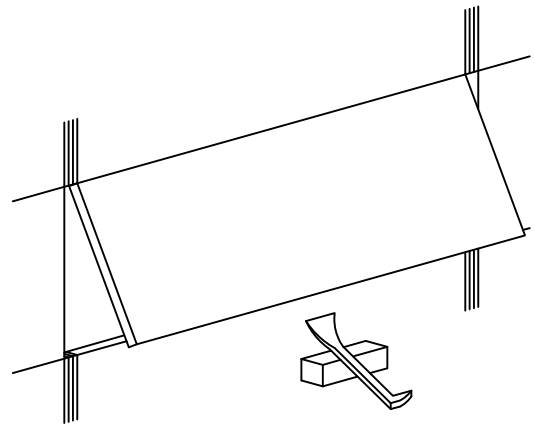
① Removal of siding 1

- Remove the sealing on the part to be replaced using a cutter knife.
- Remove the nails from the siding to be replaced.



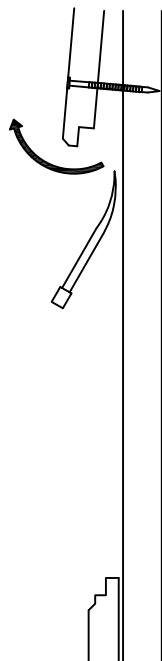
② Removal of siding 2

- Remove the siding using a splint and a flat crowbar to avoid damaging other sidings.
- If there is any break on the weather resistive barrier, repair it with weather resistive tape.



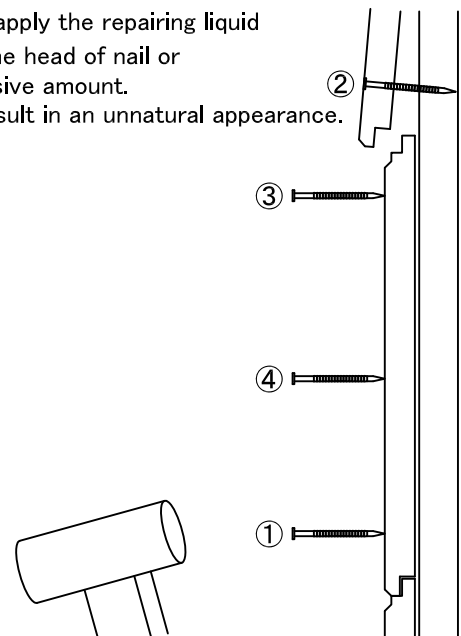
③ Installation of new siding 1

- In order to facilitate the smooth installation of new siding, slightly lift up the upper ship-lapped joint side of existing siding on the upper side using a flat crowbar.



④ Installation of new siding 2

- Fasten the new siding with nails in the order shown in the drawing below.
- Apply sealant to the joint part where the sealing was removed.
- Apply the minimum amount of repairing liquid only to spots where the head of nail is noticeable without spreading it to the peripheries.
- ※ DO NOT apply the repairing liquid beyond the head of nail or an excessive amount. It may result in an unnatural appearance.

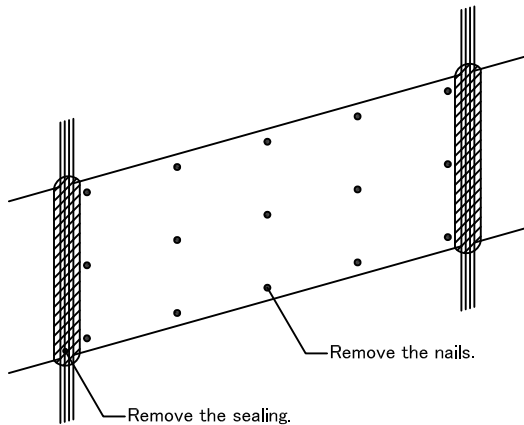


Repair method for Nichiha Siding

Method of partial replacement: Nailing installation (changing from 12 mm to 14 mm)

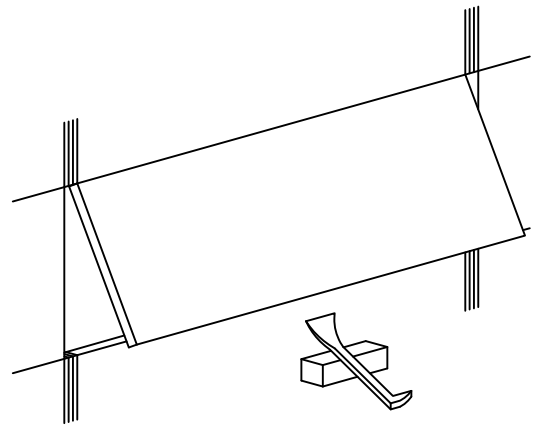
① Removal of siding 1

- Remove the sealing on the part to be replaced using a cutter knife.
- Remove the nails from the siding to be replaced.



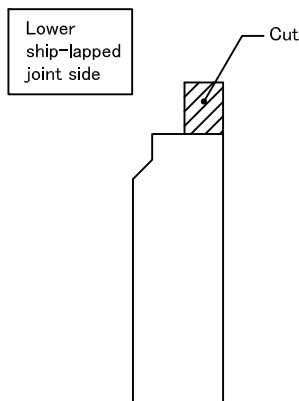
② Removal of siding 2

- Remove the siding using a splint and a flat crowbar to avoid damaging other sidings.
- If there is any break on the weather resistive barrier, repair it with weather resistive tape.



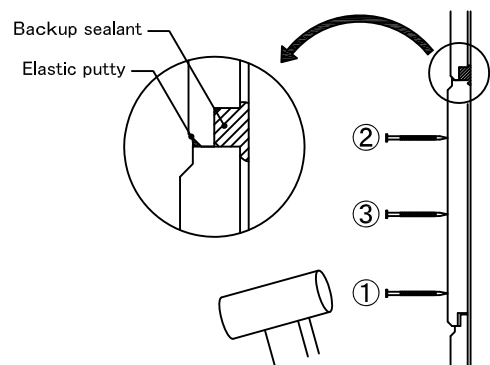
③ Cutout of new siding

- Cut the lower ship-lapped joint first.
- ✳ Make sure to apply an adequate amount of Nichiha Siding sealer to the cut surface, dry it, and apply the Nichiha Siding sealer one more time (two applications).



④ Installation of new siding

- Apply a sealant to serve as a backup to the back of upper ship-lapped joint of existing siding.
- Fasten the new siding with nails in the order shown in the drawing below.
- Apply sealant to the joint part where the sealing was removed.
- Join the upper ship-lapped joint of existing siding and the lower ship-lapped joint side of new siding, and fill the joint surface with an elastic putty material (AUTON ADHER 3500 manufactured by AUTO CHEMICAL INDUSTRY CO., LTD.).
- After the putty material is hardened, apply repair coating.
- ✳ DO NOT apply the repairing liquid beyond the head of nail or an excessive amount. It may result in an unnatural appearance.

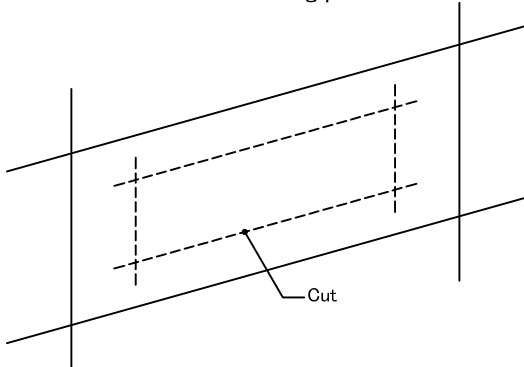


Repair method for Nichiha Siding

Method of partial replacement: Clip installation (product of four-sides ship-lapped joint)

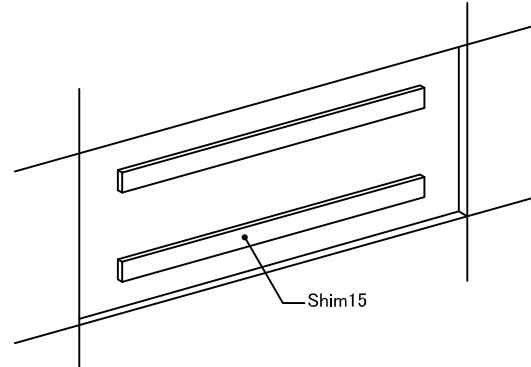
① Removal of siding

- In case of replacing corner/opening part, remove the sealing with a cutter knife.
- Cut in the siding to be replaced along the dotted line shown in the figure below using an electric saw.
- Remove the cut center part of siding first and then remove the remaining part.



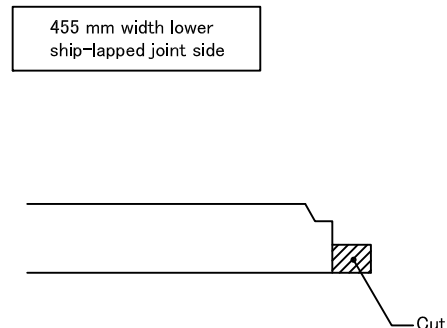
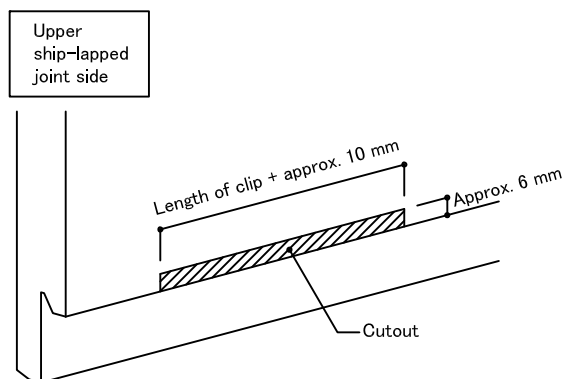
② Installation of Shim15

- Install Shim15 to the exposed base surface first.
- ※ If there is any break on the weather resistive barrier, repair it with weather resistive tape.



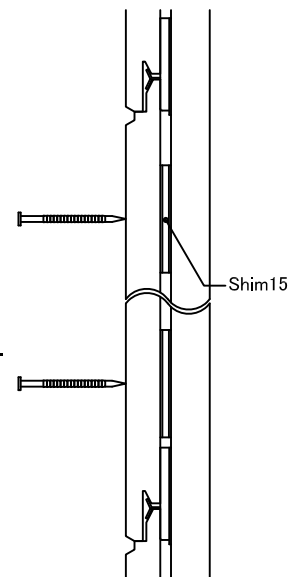
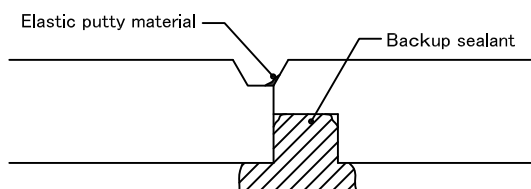
③ Cutout of new siding

- Cut the part to be hooked to the clip of upper ship-lapped joint side a little larger than the clip.
- Cut the lower ship-lapped joint of 455 mm width direction in advance.
- ※ Make sure to apply an adequate amount of Nichiha Siding sealer to the cutout/cut surface, dry it, and apply the Nichiha Siding sealer one more time (two applications).



④ Installation of new siding

- Apply a sealant to serve as a backup to the back of upper ship-lapped joint of existing siding.
- Insert the new siding from the top, make a pilot hole from the surface, and fasten the siding with nails.
- Join the 455 mm width upper ship-lapped joint of existing siding and the lower ship-lapped joint side of new siding, and fill the joint surface with an elastic putty material (AUTON ADOHER 3500 manufactured by AUTO CHEMICAL INDUSTRY CO., LTD.).
- After the putty material is hardened, apply repair coating.
- ※ DO NOT apply the repairing liquid beyond the head of nail or an excessive amount. It may result in an unnatural appearance.

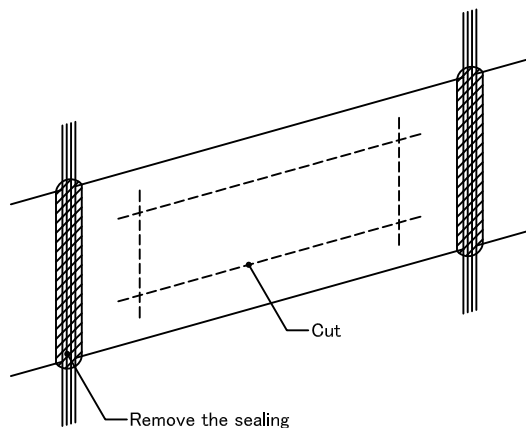


Repair method for Nichiha Siding

Method of partial replacement: Clip installation

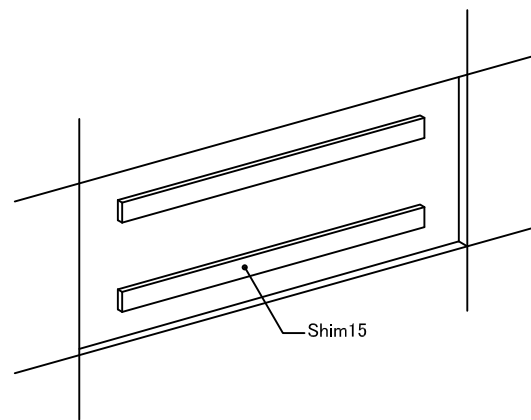
① Removal of siding 1

- Remove the sealing on the part to be replaced using a cutter knife.
- Cut in the siding to be replaced along the dotted line shown in the figure below using an electric saw.
- Remove the cut center part of siding first and then remove the remaining part.



② Installation of Shim15

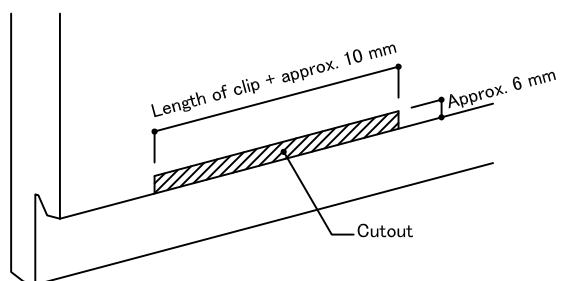
- Install Shim15 to the exposed base surface first.
 - ※ If there is any break on the weather resistive barrier, repair it with weather resistive tape.



③ Cutout of new siding

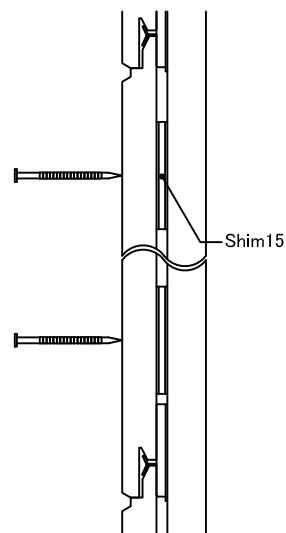
- Cut the part to be hooked to the clip of upper ship-lapped joint side a little larger than the clip.
 - ※ Make sure to apply an adequate amount of Nichiha Siding sealer to the cutout part, dry it, and apply the Nichiha Siding sealer one more time (two applications).

Upper
ship-lapped
joint side



④ Installation of new siding

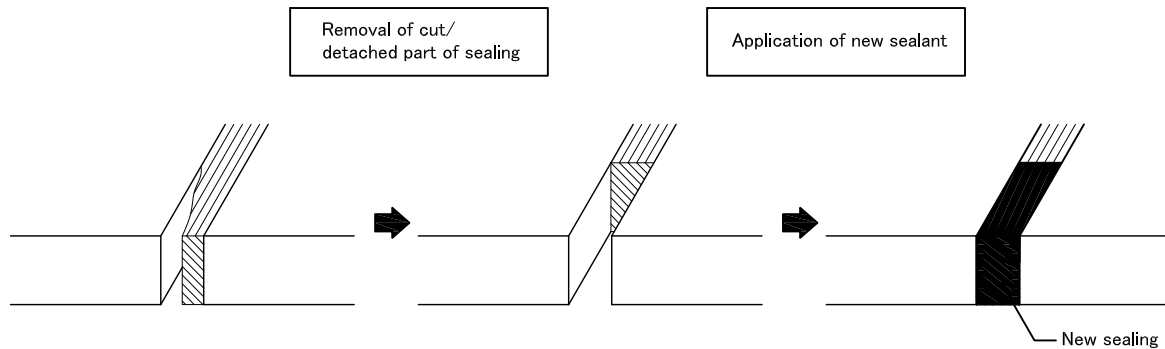
- Insert the new siding from the top, make a pilot hole from the surface, and fasten the siding with nails.
- Apply sealant to the joint part where the sealing was removed.
- Apply the minimum amount of repair coating only to spots where the head of nail is noticeable without spreading it to the peripheries.
 - ※ DO NOT spread the repair coating or apply an excessive amount. It may result in an unnatural appearance.



Repair method for Nichiha Siding

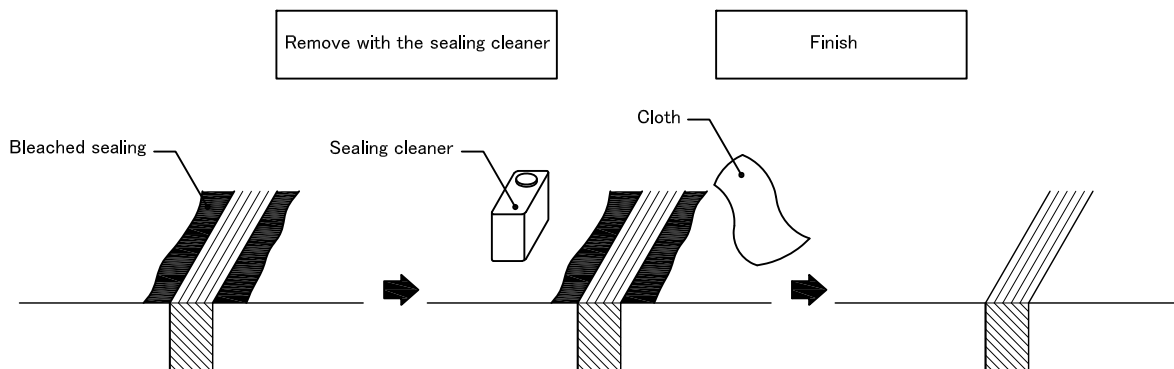
Method to repair cut/abrasion of sealing

- Remove the cut/detached part of the sealing completely using a cutter knife/spatula.
- Apply a new sealant in accordance with the standard installation method.
(Make sure there is no uneven application/inadequacy of primer, inadequate application of sealing material, or inadequate pressing with a spatula.)



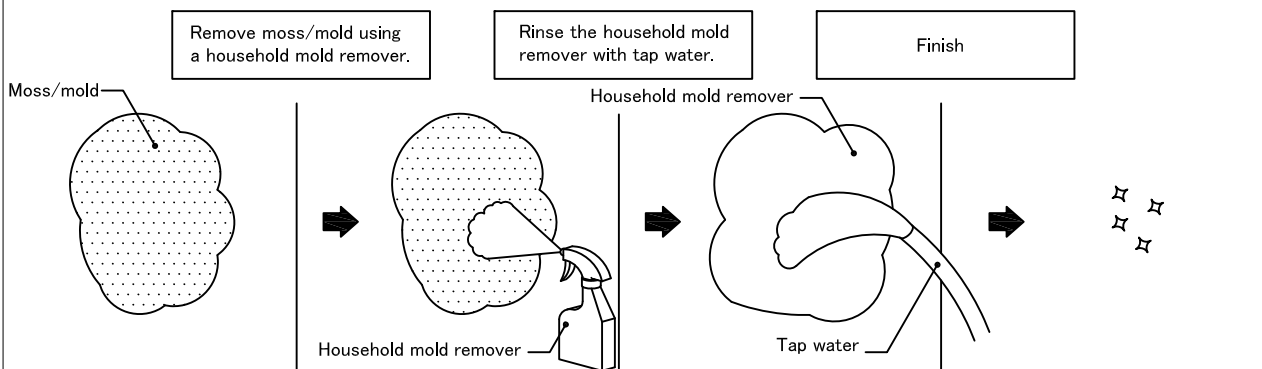
Method to repair bleached sealing

- Soak a cloth with the sealing cleaner (JF6000) and wipe the bleached sealing with it thoroughly.
Then wipe the area again with a dry cloth.
(If the cleaning is not adequate, the bleached phenomenon may reoccur.)
- ※ Stop wiping if the color of the siding coating is transferred to the cloth.



Method to repair moss/mold

- Remove moss/mold using a household fungus remover.
- Rinse the household mold remover with tap water.
※ If the household mold remover is not completely washed, it may cause discoloration and fading.
※ Moss/mold is caused by surrounding environment. Even though it is removed completely once, it may reoccur due to adherence of mold.



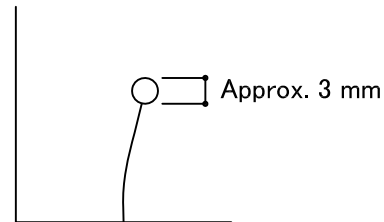
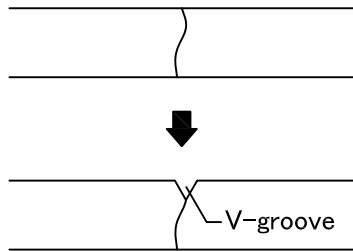
Repair method for Nichiha Siding

Method to repair cracks ※ In cases where movement of the base and frame is a consideration, be sure to use elastic putty. (Recommended putty: AUTON ADOHER 3500 manufactured by AUTO CHEMICAL INDUSTRY CO., LTD.)

① V-groove processing

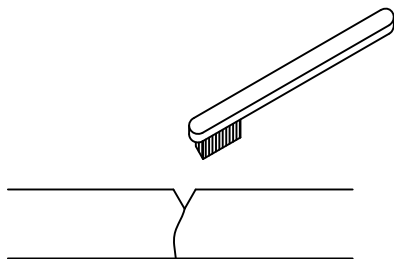
- Make a V-groove on the crack by cutting at an angle with a cutter knife.
Width of V-groove: approx. 3 to 7 mm
Depth of V-groove: approx. 3 to 7 mm

- ※ As required, make a through-hole at the end of the crack.
 - 1) Find the end of the crack.
 - 2) Make an approx. 3 mm through-hole there using a drill.



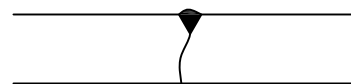
② Cleaning of V-groove

- Clean the cut surface of V-groove using a nylon brush.
 - ※ Conduct curing with masking tape if necessary.



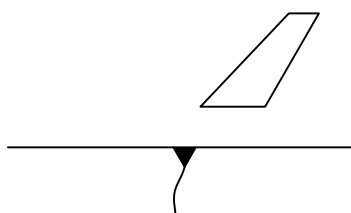
③ Filling with putty

- Fill the V-groove (and the through-hole at the end if any) completely with repairing putty (FC5000).
 - ※ Remove any excess putty.
 - ※ DO NOT repair cracks with a sealant.
The deterioration of the sealant material may cause bleached phenomenon or dirty appearance.
 - ※ Nichiha genuine putty (FC5000) is NOT elastic.



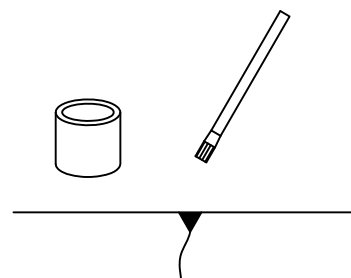
④ Surface finish

- Shape the putty using a spatula along with the surface pattern.
- If masking tape is used, remove it carefully.



⑤ Touch-up with repair coating

- After the putty material for repair is hardened, apply repair coating.
 - ※ After mixing the repair coating well until the color becomes even, apply it.

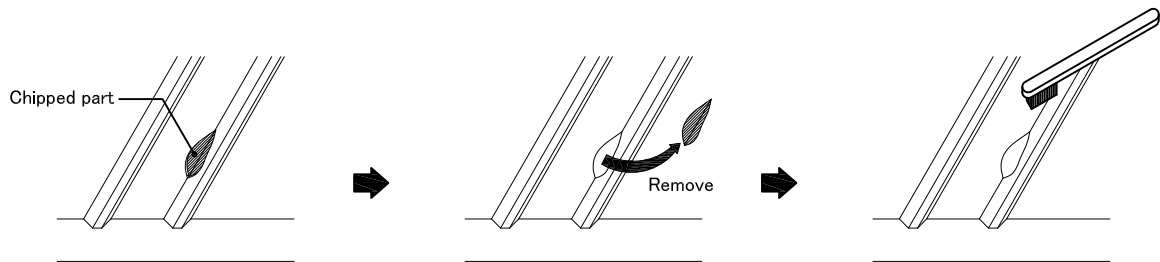


Repair method for Nichiha Siding

Method to repair chips

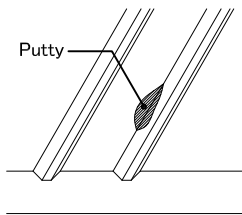
① Cleaning of chipped part

- Clean the chipped part using a nylon brush.
- ※ Remove any remaining chipped part.



② Filling with putty

- Fill the chipped part completely with repairing putty (FC5000).
- Shape the putty using a spatula along with the surface.
- ※ The putty is not necessary if the chip is small and not affecting the appearance.
- ※ Remove any excess putty.
- ※ DO NOT repair cracks with a sealant.
The deterioration of the sealant material may cause bleached phenomenon or dirty appearance.



③ Touch-up with repair coating

- After the putty material for repair is hardened, apply repair coating.
- ※ After mixing the repair coating well until the color becomes even, apply it.

